

LYB1AE8W0



EN	Freezer	User Manual	2
DA	Fryser	Brugsanvisning	18
FI	Pakastin	Käyttöohje	34
NO	Fryser	Bruksanvisning	51
SV	Frysiskåp	Bruksanvisning	67

CONTENTS

1. SAFETY INFORMATION.....	2
2. SAFETY INSTRUCTIONS.....	4
3. INSTALLATION.....	6
4. OPERATION.....	10
5. DAILY USE.....	10
6. HINTS AND TIPS.....	11
7. CARE AND CLEANING.....	12
8. TROUBLESHOOTING.....	14
9. NOISES.....	16
10. TECHNICAL DATA.....	16
11. INFORMATION FOR TEST INSTITUTES.....	16

WE'RE THINKING OF YOU

Thank you for purchasing an Electrolux appliance. You've chosen a product that brings with it decades of professional experience and innovation. Ingenious and stylish, it has been designed with you in mind. So whenever you use it, you can be safe in the knowledge that you'll get great results every time.

Welcome to Electrolux.

Visit our website to:



Get usage advice, brochures, trouble shooter, service and repair information:
www.electrolux.com/support



Register your product for better service:
www.registerelectrolux.com



Buy Accessories, Consumables and Original spare parts for your appliance:
www.electrolux.com/shop

CUSTOMER CARE AND SERVICE

Always use original spare parts.

When contacting our Authorised Service Centre, ensure that you have the following data available: Model, PNC, Serial Number.

The information can be found on the rating plate.

 Warning / Caution-Safety information

 General information and tips

 Environmental information

Subject to change without notice.

1. SAFETY INFORMATION

Before the installation and use of the appliance, carefully read the supplied instructions. The manufacturer is not responsible for any injuries or damage that are the result

of incorrect installation or usage. Always keep the instructions in a safe and accessible location for future reference.

1.1 Children and vulnerable people safety

- This appliance can be used by children aged from 8 years and above and persons with reduced physical, sensory or mental capabilities or lack of experience and knowledge if they have been given supervision or instruction concerning the use of the appliance in a safe way and understand the hazards involved.
- Children aged from 3 to 8 years are allowed to load and unload the appliance provided that they have been properly instructed.
- This appliance may be used by persons with very extensive and complex disabilities provided that they have been properly instructed.
- Children of less than 3 years of age should be kept away from the appliance unless continuously supervised.
- Do not let children play with the appliance.
- Children shall not carry out cleaning and user maintenance of the appliance without supervision.
- Keep all packaging away from children and dispose of it appropriately.

1.2 General Safety

- This appliance is intended to be used in household and similar applications such as:
 - Farm houses; staff kitchen areas in shops, offices and other working environments;
 - By clients in hotels, motels, bed and breakfast and other residential type environments.
- To avoid contamination of food respect the following instructions:
 - do not open the door for long periods;
 - clean regularly surfaces that can come in contact with food and accessible drainage systems;

- **WARNING:** Keep ventilation openings, in the appliance enclosure or in the built-in structure, clear of obstruction.
- **WARNING:** Do not use mechanical devices or other means to accelerate the defrosting process, other than those recommended by the manufacturer.
- **WARNING:** Do not damage the refrigerant circuit.
- **WARNING:** Do not use electrical appliances inside the food storage compartments of the appliance, unless they are of the type recommended by the manufacturer.
- Do not use water spray and steam to clean the appliance.
- Clean the appliance with a moist soft cloth. Only use neutral detergents. Do not use abrasive products, abrasive cleaning pads, solvents or metal objects.
- When the appliance is empty for long period, switch it off, defrost, clean, dry and leave the door open to prevent mould from developing within the appliance.
- Do not store explosive substances such as aerosol cans with a flammable propellant in this appliance.
- If the supply cord is damaged, it must be replaced by the manufacturer, its Authorised Service Centre or similarly qualified persons in order to avoid a hazard.

2. SAFETY INSTRUCTIONS

2.1 Installation



WARNING!

Only a qualified person must install this appliance.

- Remove all the packaging.
- Do not install or use a damaged appliance.
- Follow the installation instructions supplied with the appliance.
- Always take care when moving the appliance as it is heavy. Always use safety gloves and enclosed footwear.
- Make sure the air can circulate around the appliance.
- At first installation or after reversing the door wait at least 4 hours before connecting the appliance to the power supply. This is to allow the oil to flow back in the compressor.
- Before carrying out any operations on the appliance (e.g. reversing the door), remove the plug from the power socket.
- Do not install the appliance close to radiators or cookers, ovens or hobs.
- Do not expose the appliance to the rain.
- Do not install the appliance where there is direct sunlight.
- Do not install this appliance in areas that are too humid or too cold.

- When you move the appliance, lift it by the front edge to avoid scratching the floor.

2.2 Electrical connection



WARNING!
Risk of fire and electric shock.



WARNING!
When positioning the appliance, ensure the supply cord is not trapped or damaged.



WARNING!
Do not use multi-plug adapters and extension cables.

- The appliance must be earthed.
- Make sure that the parameters on the rating plate are compatible with the electrical ratings of the mains power supply.
- Always use a correctly installed shockproof socket.
- Make sure not to cause damage to the electrical components (e.g. mains plug, mains cable, compressor). Contact the Authorised Service Centre or an electrician to change the electrical components.
- The mains cable must stay below the level of the mains plug.
- Connect the mains plug to the mains socket only at the end of the installation. Make sure that there is access to the mains plug after the installation.
- Do not pull the mains cable to disconnect the appliance. Always pull the mains plug.

2.3 Use



WARNING!
Risk of injury, burns, electric shock or fire.



The appliance contains flammable gas, isobutane (R600a), a natural gas with a high level of environmental compatibility. Be careful not to cause

damage to the refrigerant circuit containing isobutane.

- Do not change the specification of this appliance.
- Do not put electrical appliances (e.g. ice cream makers) in the appliance unless they are stated applicable by the manufacturer.
- If damage occurs to the refrigerant circuit, make sure that there are no flames and sources of ignition in the room. Ventilate the room.
- Do not let hot items to touch the plastic parts of the appliance.
- Do not put soft drinks in the freezer compartment. This will create pressure on the drink container.
- Do not store flammable gas and liquid in the appliance.
- Do not put flammable products or items that are wet with flammable products in, near or on the appliance.
- Do not touch the compressor or the condenser. They are hot.
- Do not remove or touch items from the freezer compartment if your hands are wet or damp.
- Do not freeze again food that has been thawed.
- Follow the storage instructions on the packaging of frozen food.
- Wrap the food in any food contact material before putting it in the freezer compartment.

2.4 Internal lighting



WARNING!
Risk of electric shock.

- Concerning the lamp(s) inside this product and spare part lamps sold separately: These lamps are intended to withstand extreme physical conditions in household appliances, such as temperature, vibration, humidity, or are intended to signal information about the operational status of the appliance. They are not intended to be used in other applications and are not suitable for household room illumination.

2.5 Care and cleaning



WARNING!

Risk of injury or damage to the appliance.

- Before maintenance, deactivate the appliance and disconnect the mains plug from the mains socket.
- This appliance contains hydrocarbons in the cooling unit. Only a qualified person must do the maintenance and the recharging of the unit.
- Regularly examine the drain of the appliance and if necessary, clean it. If the drain is blocked, defrosted water collects in the bottom of the appliance.

2.6 Service

- To repair the appliance contact the Authorised Service Centre. Use original spare parts only.
- Please note that self-repair or non-professional repair can have safety consequences and might void the guarantee.
- The following spare parts will be available for 7 years after the model has been discontinued: thermostats, temperature sensors, printed circuit boards, light sources, door handles,

door hinges, trays and baskets.

Please note that some of these spare parts are only available to professional repairers, and that not all spare parts are relevant for all models.

- Door gaskets will be available for 10 years after the model has been discontinued.

2.7 Disposal



WARNING!

Risk of injury or suffocation.

- Disconnect the appliance from the mains supply.
- Cut off the mains cable and discard it.
- Remove the door to prevent children and pets to be closed inside of the appliance.
- The refrigerant circuit and the insulation materials of this appliance are ozone-friendly.
- The insulation foam contains flammable gas. Contact your municipal authority for information on how to discard the appliance correctly.
- Do not cause damage to the part of the cooling unit that is near the heat exchanger.

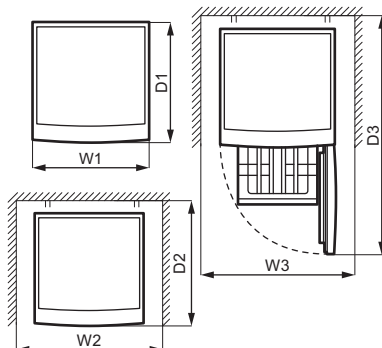
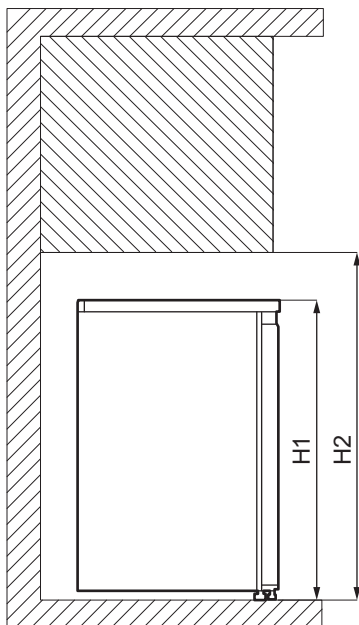
3. INSTALLATION



WARNING!

Refer to Safety chapters.

3.1 Dimensions



Overall dimensions ¹⁾		
H1	mm	845
W1	mm	560
D1	mm	575

¹⁾ the height, width and depth of the appliance without the handle and feet

Space required in use ¹⁾		
H2	mm	945
W2	mm	760
D2	mm	650

¹⁾ the height, width and depth of the appliance including the handle, plus the space necessary for free circulation of the cooling air

Overall space required in use ¹⁾		
H2	mm	945
W3	mm	760
D3	mm	1165

¹⁾ the height, width and depth of the appliance including the handle, plus the space necessary for free circulation of the cooling air, plus the space necessary to allow door opening to the minimum angle permitting removal of all internal equipment

3.2 Location

To ensure appliance's best functionality, you should not install the appliance in the nearby of the heat source (oven, stoves, radiators, cookers or hobs) or in a place with direct sunlight. Make sure that air

can circulate freely around the back of the cabinet.

To ensure best performance, if the appliance is positioned below an overhanging wall unit, the minimum distance between the top of the cabinet shall be maintained. Ideally, however, the appliance should not be positioned below overhanging wall units. One or more adjustable feet at the base of the cabinet ensure that the appliance stands level.



It must be possible to disconnect the appliance from the mains power supply. The plug must therefore be easily accessible after installation.

3.3 Positioning

This appliance is not intended to be used as a built-in appliance.

This appliance should be installed in a dry, well ventilated indoor position.

The correct operation of the appliance can only be guaranteed within the specified temperature range. This appliance is intended to be used at ambient temperature ranging from 10°C to 43°C.

If, due to different installation, proper ventilation requirements are not respected, the appliance will function correctly but energy consumption might increase slightly.



If you have any doubts regarding where to install the appliance, please turn to the vendor, to our customer service or to the nearest Authorised Service Centre.



If you position the appliance against the wall, use back spacers provided or keep the minimum distance indicated in the "Dimensions" section.



CAUTION!

If you install the appliance next to a wall, refer to the "Dimensions" section to understand the minimum distance between the wall and the side of the appliance where door hinges are to provide enough space to open the door when the internal equipment is removed (e.g. when cleaning).

3.4 Electrical connection

- Before plugging in, ensure that the voltage and frequency shown on the rating plate correspond to your domestic power supply.
- The appliance must be earthed. The power supply cable plug is provided with a contact for this purpose. If the domestic power supply socket is not earthed, connect the appliance to a separate earth in compliance with current regulations, consulting a qualified electrician.
- The manufacturer declines all responsibility if the above safety precautions are not observed.
- This appliance complies with the E.E.C. Directives.

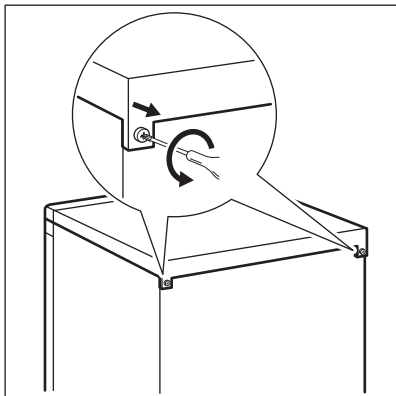
3.5 Door reversibility



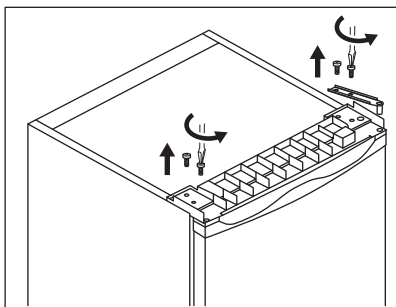
WARNING!

Before carrying out any operations, remove the plug from the power socket.

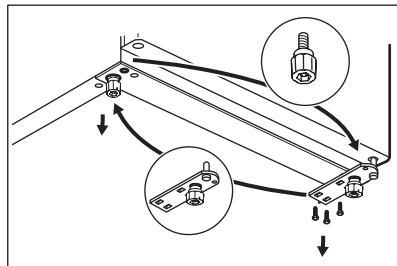
1. Make sure the appliance stands upright.
2. Open the door and remove the door equipment. Refer to "Daily Use" chapter. Close the door.
3. Unscrew the screws on the back of the top cover.



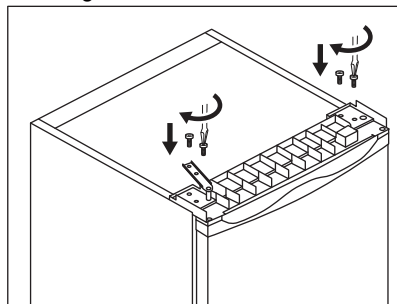
4. Lift the top cover and place it on a soft surface.
5. Unscrew the 4 screws.



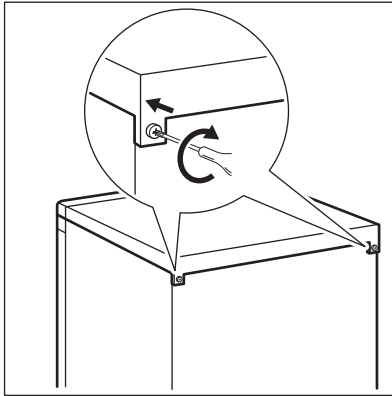
6. Lift the upper hinge and put it in a safe place together with the screws.
7. Lift the door and put it on a soft surface.
8. Tilt the appliance carefully on a soft foam packaging or similar material to avoid any damage to the back of the appliance and the floor.
9. Unscrew the screws of the bottom hinge and adjustable feet.
10. Install the pin in the opposite hole of the hinge.



11. Screw the bottom hinge on the other side of the appliance.
12. Install the rubber support on the side with no hinge.
13. Fit the door on the lower hinge making sure the hinge pin enters the door bottom hole.
14. Install the upper hinge on the opposite side of the appliance. Fit the upper hinge pin into the door upper hole. Tighten the screws.



15. Screw the remaining 2 screws on the top side of the appliance with no hinge.
16. Place the top cover on the appliance and tighten the screws on the back.



Install the door equipment.

Wait at least 4 hours before connecting the appliance to the power supply.

4. OPERATION

4.1 Switching on

Insert the plug into the wall socket.

4.2 Switching off

To turn off the appliance, remove the plug from the power socket.

4.3 Temperature regulation

The temperature is regulated automatically. However, you can set a

temperature inside the appliance yourself.

Choose the setting keeping in mind that the temperature inside the appliance depends on:

- room temperature,
- frequency of opening the door,
- quantity of food stored,
- appliance location.

A medium setting is generally the most suitable one.

5. DAILY USE



WARNING!

Refer to Safety chapters.

5.1 Freezing fresh food

The freezer compartment is suitable for freezing fresh food and storing frozen and deep-frozen food for a long time.

Store the fresh food evenly distributed in the first and second compartment or drawer from the top.

The maximum amount of food that can be frozen without adding other fresh food during 24 hours is specified on the rating plate (a label located inside the appliance).

5.2 Storage of frozen food

When activating an appliance for the first time or after a period out of use, before putting the products in the compartment let the appliance run at least 3 hours.

The freezer drawers ensure that it is quick and easy to find the food package you want. If large quantities of food are to be stored, remove all drawers, except for the bottom drawer which needs to be in place to provide good air circulation.

Keep the food no closer than 15 mm from the door.

**CAUTION!**

In the event of accidental defrosting, for example due to a power failure, if the power has been off for longer than the value shown on rating plate under "rising time", the defrosted food must be consumed quickly or cooked immediately then cooled and then re-frozen.

5.3 Thawing

Deep-frozen or frozen food, prior to being used, can be thawed in the refrigerator or at room temperature,

depending on the time available for this operation.

Small pieces may even be cooked still frozen, directly from the freezer: in this case, cooking will take longer.

5.4 Ice-cube tray

This appliance is equipped with one or more trays for the production of ice-cubes.



Do not use metallic instruments to remove the trays from the freezer.

1. Fill the ice-cube trays with water
2. Put them in the freezer compartment.

6. HINTS AND TIPS

6.1 Hints for energy saving

- The internal configuration of the appliance is the one that ensures the most efficient use of energy.
- Do not open the door frequently or leave it open longer than necessary.
- The colder the temperature setting, the higher the energy consumption.
- Ensure a good ventilation. Do not cover the ventilation grilles or holes.

6.2 Hints for freezing

- Before freezing wrap and seal fresh food in: aluminium foil, plastic film or bags, airtight containers with lid.
- For more efficient freezing and thawing divide food into small portions.
- It is recommended to put labels and dates on all your frozen food. This will help to identify foods and to know when they should be used before their deterioration.
- The food should be fresh when being frozen to preserve good quality. Especially fruits and vegetables should be frozen after the harvest to preserve all of their nutrients.
- Do not freeze bottles or cans with liquids, in particular drinks containing carbon dioxide - they may explode during freezing.
- Do not put hot food in the freezer compartment. Cool it down at room

temperature before placing it inside the compartment.

- To avoid increase in temperature of already frozen food, do not place fresh unfrozen food directly next to it. Place food at room temperature in the part of the freezer compartment where there is no frozen food.
- Do not eat ice cubes, water ices or ice lollies immediately after taking them out of the freezer. Risk of frostbites.
- Do not re-freeze defrosted food. If the food has defrosted, cook it, cool it down and then freeze it.

6.3 Hints for storage of frozen food

- The medium temperature setting ensures good preservation of frozen food products. Higher temperature setting inside the appliance may lead to shorter shelf life.
- The whole freezer compartment is suitable for storage of frozen food products.
- Leave enough space around the food to allow air to circulate freely.
- For adequate storage refer to food packaging label to see the shelf life of food.
- It is important to wrap the food in such a way that prevents water, humidity or condensation from getting inside.

6.4 Shopping tips

After grocery shopping:

- Ensure that the packaging is not damaged - the food could be deteriorated. If the package is swollen or wet, it might have not been stored in the optimal conditions and defrosting may have already started.
- To limit the defrosting process buy frozen goods at the end of your grocery shopping and transport them in a thermal and insulated cool bag.
- Place the frozen foods immediately in the freezer after coming back from the shop.
- If food has defrosted even partially, do not re-freeze it. Consume it as soon as possible.
- Respect the expiry date and the storage information on the package.

6.5 Shelf life

Type of food	Shelf life (months)
Bread	3
Fruits (except citrus)	6 - 12
Vegetables	8 - 10
Leftovers without meat	1 - 2
Dairy food:	
Butter	6 - 9
Soft cheese (e.g. mozzarella)	3 - 4
Hard cheese (e.g. parmesan, cheddar)	6
Seafood:	
Fatty fish (e.g. salmon, mackerel)	2 - 3
Lean fish (e.g. cod, flounder)	4 - 6
Shrimps	12
Shucked clams and mussels	3 - 4
Cooked fish	1 - 2
Meat:	
Poultry	9 - 12
Beef	6 - 12
Pork	4 - 6
Lamb	6 - 9
Sausage	1 - 2
Ham	1 - 2
Leftovers with meat	2 - 3

7. CARE AND CLEANING



WARNING!


Refer to Safety chapters.


7.1 General warnings



CAUTION!

Unplug the appliance before carrying out any maintenance operation.

 This appliance contains hydrocarbons in its cooling unit; maintenance and recharging must therefore only be carried out by authorized technicians.

 The accessories and parts of the appliance are not suitable for washing in a dishwasher.

7.2 Cleaning the interior

Before using the appliance for the first time, the interior and all internal accessories should be washed with lukewarm water and some neutral soap to remove the typical smell of a brand-new product, then dried thoroughly.



CAUTION!
Do not use detergents, abrasive powders, chlorine or oil-based cleaners as they will damage the finish.

7.3 Periodic cleaning

The equipment has to be cleaned regularly:

1. Clean the inside and accessories with lukewarm water and some neutral soap.
2. Regularly check the door seals and wipe them clean to ensure they are clean and free from debris.
3. Rinse and dry thoroughly.

7.4 Defrosting of the appliance



CAUTION!
Never use sharp metal tools to scrape off frost from the evaporator as you could damage it.
Do not use a mechanical device or any artificial means to speed up the thawing process other than those recommended by the manufacturer.



About 12 hours prior to defrosting set a lower temperature in order to build up sufficient chill reserve in case of any interruption in operation.

Defrost the freezer compartment when the frost layer reaches a thickness of about 3-5 mm.

To defrost freezer compartment:

1. Switch off the appliance or pull out electrical plug from the wall socket.
2. Remove any stored food, wrap it in several layers of newspaper and put it in a cool place.



CAUTION!
A temperature rise of the frozen food packs during defrosting may shorten their safe storage life.
Do not touch frozen goods with wet hands.
Hands can freeze to the goods.

3. Remove the ice tray.
4. Leave the door open. Protect the floor from the defrosting water e.g. with a cloth or a flat vessel.
5. In order to speed up the defrosting process, place a pot of warm water in the freezer compartment. In addition, remove pieces of ice that break away before defrosting is complete.
6. When defrosting is complete, dry the interior thoroughly.
7. Switch on the appliance and close the door.
8. Set the temperature regulator to obtain the maximum coldness and run the appliance for three hours using this setting.

Only after this time put the food back into the freezer compartment.

7.5 Periods of non-operation

When the appliance is not in use for long periods, take the following precautions:

1. Disconnect the appliance from electricity supply.
2. Remove all food.
3. Defrost (if necessary) and clean the appliance and all accessories.

4. Leave the door/doors open to prevent unpleasant smells.

8. TROUBLESHOOTING



WARNING!

Refer to Safety chapters.

8.1 What to do if...

Problem	Possible cause	Solution
The appliance does not operate.	The appliance is switched off.	Switch on the appliance.
	The mains plug is not connected to the mains socket correctly.	Connect the mains plug to the mains socket correctly.
	There is no voltage in the mains socket.	Connect a different electrical appliance to the mains socket. Contact a qualified electrician.
The appliance is noisy.	The appliance is not supported properly.	Check if the appliance stands stable.
The compressor operates continually.	Temperature is set incorrectly.	Refer to "Operation" chapter.
	Many food products were put in at the same time.	Wait a few hours and then check the temperature again.
	The room temperature is too high.	Refer to "Installation" chapter.
Door is misaligned or interferes with ventilation grill.	Food products placed in the appliance were too warm.	Allow food products to cool to room temperature before storing.
	The door is not closed correctly.	Refer to "Closing the door" section.
	The appliance is not levelled.	Refer to installation instructions.
Door does not open easily.	You attempted to re-open the door immediately after closing.	Wait a few seconds between closing and re-opening of the door.
There is too much frost and ice.	The door is not closed correctly.	Refer to "Closing the door" section.
	The gasket is deformed or dirty.	Refer to "Closing the door" section.

Problem	Possible cause	Solution
	Food products are not wrapped properly.	Wrap the food products better.
	Temperature is set incorrectly.	Refer to "Operation" chapter.
	Appliance is fully loaded and is set to the lowest temperature.	Set a higher temperature. Refer to "Operation" chapter.
	Temperature set in the appliance is too low and the ambient temperature is too high.	Set a higher temperature. Refer to "Operation" chapter.
Water flows inside the refrigerator.	Food products prevent the water from flowing into the water collector.	Make sure that food products do not touch the rear plate.
	The water outlet is clogged.	Clean the water outlet.
Water flows on the floor.	The melting water outlet is not connected to the evaporative tray above the compressor.	Attach the melting water outlet to the evaporative tray.
The temperature in the appliance is too low/too high.	The temperature is not set correctly.	Set a higher/lower temperature.
	The door is not closed correctly.	Refer to "Closing the door" section.
	The food products' temperature is too high.	Let the food products temperature decrease to room temperature before storage.
	Many food products are stored at the same time.	Store less food products at the same time.
	The thickness of the frost is greater than 4-5 mm.	Defrost the appliance.
	The door has been opened often.	Open the door only if necessary.
	There is no cold air circulation in the appliance.	Make sure that there is cold air circulation in the appliance. Refer to "Hints and Tips" chapter.



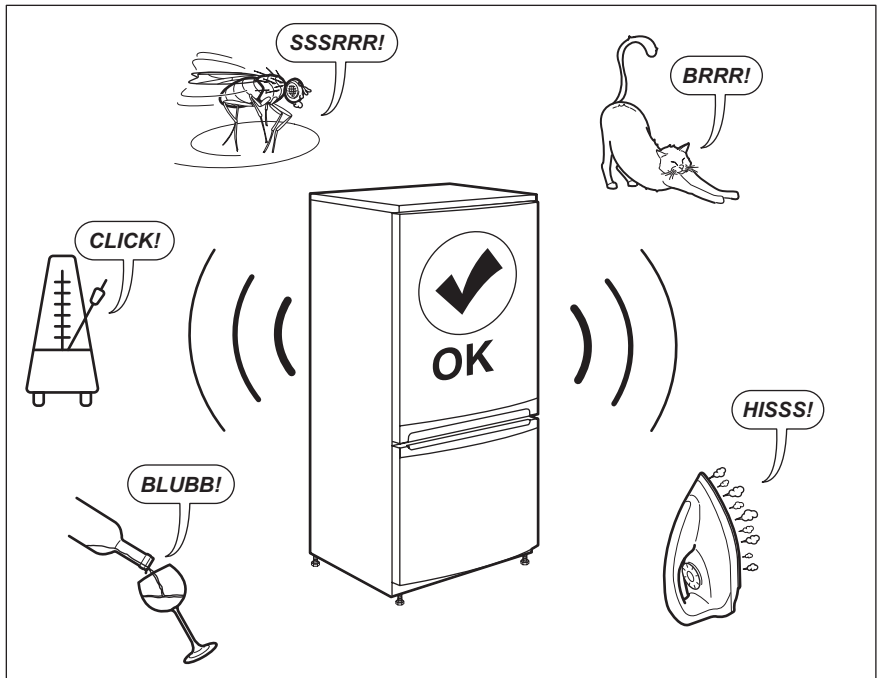
If the advice does not lead to the desired result, call the nearest Authorized Service Centre.

8.2 Closing the door

1. Clean the door gaskets.
2. If necessary, adjust the door. Refer to "Installation" chapter.

- If necessary, replace the defective door gaskets. Contact the Authorised Service Centre.

9. NOISES



10. TECHNICAL DATA

The technical information is situated in the rating plate on the internal side of the appliance and on the energy label.

The QR code on the energy label supplied with the appliance provides a web link to the information related to the performance of the appliance in the EU EPREL database. Keep the energy label for reference together with the user manual and all other documents provided with this appliance.

It is also possible to find the same information in EPREL using the link <https://eprel.ec.europa.eu> and the model name and product number that you find on the rating plate of the appliance.

See the link www.theenergylabel.eu for detailed information about the energy label.


11. INFORMATION FOR TEST INSTITUTES


Installation and preparation of the appliance for any EcoDesign verification shall be compliant with EN 62552.

Ventilation requirements, recess dimensions and minimum rear clearances shall be as stated in this User

Manual at Chapter 3. Please contact the manufacturer for any other further information, including loading plans.

12. ENVIRONMENTAL CONCERNS

Recycle materials with the symbol . Put the packaging in relevant containers to recycle it. Help protect the environment and human health by recycling waste of electrical and electronic appliances. Do not dispose of

appliances marked with the symbol  with the household waste. Return the product to your local recycling facility or contact your municipal office.

INDHOLDSFORTEGNELSE

1. OM SIKKERHED.....	18
2. SIKKERHEDSANVISNINGER.....	20
3. INSTALLATION.....	22
4. BETJENING.....	26
5. DAGLIG BRUG.....	26
6. RÅD OG TIPS.....	27
7. VEDLIGEHOLDELSE OG RENGØRING.....	29
8. FEJLFINDING.....	30
9. STØJ.....	32
10. TEKNISKE DATA.....	32
11. OPLYSNINGER TIL TESTINSTITUTTER.....	33

VI TÆNKER PÅ DIG

Tak for dit køb af et Electrolux-apparat. Du har valgt et produkt, som giver dig årtiers professionel erfaring og innovation på én gang. Genialt og elegant. Det er designet med dig i tankerne. Så uanset hvornår du bruger det, kan du være sikker på, at du får et fantastisk resultat hver gang.

Velkommen til Electrolux.

Besøg vores hjemmeside for at:



Få rådgivning, brochurer, fejlfinding, service- og reparationsinformation:
www.electrolux.com/support



Få bedre service ved at registrere dit produkt:
www.registerelectrolux.com



Køb tilbehør, forbrugsvarer og originale reservedele til dit produkt:
www.electrolux.com/shop


KUNDEPLEJE OG SERVICE

Brug altid originale reservedele.

Sørg for at have følgende data tilgængelig, når du kontakter service: Model, PNC, Serienummer.

Du finder oplysningerne på maskinens typeskilt.

 Advarsel/Forsigtig-Sikkerhedsanvisninger

 Generelle oplysninger og gode råd

 Miljøoplysninger

Ret til ændringer uden varsel forbeholdes.

1. OM SIKKERHED

Læs brugsanvisningen grundigt, før apparatet installeres og tages i brug. Producenten påtager sig intet ansvar for eventuelle skader, der er resultatet af forkert installation

eller brug. Opbevar altid brugsanvisningen på et sikkert og tilgængeligt sted til senere opslag.

1.1 Sikkerhed for børn og andre udsatte personer

- Apparatet kan bruges af børn fra 8 år og opefter samt af personer med nedsat fysisk, sensorisk eller psykisk funktionsevne, eller som mangler den nødvendige erfaring eller viden, hvis de er under opsyn eller er blevet instrueret i at bruge apparatet på en sikker måde samt forstår de medfølgende farer.
- Børn mellem 3 og 8 år må fylde og tømme apparatet, såfremt de er blevet instrueret korrekt.
- Dette apparat må bruges af personer med meget omfattende og komplekst handicap, såfremt de er blevet instrueret korrekt.
- Børn på under 3 år skal holdes på afstand af apparatet, med mindre de overvåges konstant.
- Børn må ikke lege med apparatet.
- Børn må ikke udføre rengøring og vedligeholdelse på apparatet uden opsyn.
- Opbevar al emballage utilgængeligt for børn, og bortskaf det korrekt.

1.2 Generel sikkerhed

- Dette apparat er beregnet til husholdningsbrug eller lignende anvendelse, som f.eks.:
 - Stuehuse, kantineområder i butikker, på kontorer og i andre arbejdsmiljøer
 - Af kunder på hoteller, moteller, bed & breakfast og andre miljøer af indkvarteringstypen.
- Overhold følgende instruktioner for at undgå kontaminering af mad:
 - lad ikke lågen stå åben i lange perioder;
 - rengør regelmæssigt overflader, der kan komme i kontakt med mad og tilgængelige dræningssystemer;

- **ADVARSEL:** Sørg for, at der er frit gennemtræk gennem udluftninger, både i apparatets kabinet og i et evt. indbygningselement.
- **ADVARSEL:** Brug ikke mekaniske redskaber eller andre kunstige hjælpemidler til at fremskynde optøningen, medmindre de er anbefalet af producenten.
- **ADVARSEL:** Undgå at beskadige kølekredsløbet.
- **ADVARSEL:** Brug ikke el-apparater indvendig i køleskabet, med mindre det er anbefalet af producenten.
- Undlad at bruge højtryksrensere eller damp til at rengøre apparatet.
- Rengør apparatet med en fugtig, blød klud. Brug kun et neutralt rengøringsmiddel. Brug ikke slibende midler, skuresvampe, opløsningsmidler eller metalgenstande.
- Når apparatet står tomt i en lang periode, skal det slukkes, afrimes, rengøres, tørres, og lågen skal efterlades åben for at forhindre, at der dannes mug i apparatet.
- Opbevar ikke eksplosive stoffer, som f.eks. aerosolbeholdere med brændbar drivgas, i dette apparat.
- Hvis netledningen er beskadiget, skal den af sikkerhedsgrunde udskiftes af producenten, et autoriseret servicecenter eller en tekniker med tilsvarende kvalifikationer.

2. SIKKERHEDSANVISNINGER

2.1 Installation



ADVARSEL!

Apparatet må kun installeres af en sagkyndig.

- Fjern al emballagen.
- Undlad at installere eller bruge et beskadiget apparat.
- Følg installationsvejledningen, der følger med apparatet.
- Vær altid forsigtig, når du flytter apparatet, da det er tungt. Brug altid sikkerhedshandsker og lukket fodtøj.
- Sørg for, at luften kan cirkulere omkring apparatet.
- Vent mindst 4 timer, inden du slutter apparatet til strømforsyningen efter første installation eller efter at have vendt døren. Dette er for, at olien kan løbe tilbage i kompressoren.

- Inden der udføres nogen form for arbejde på apparatet (f.eks. vending af døren), skal stikket altid tages ud af kontakten.
- Installér ikke apparatet tæt på radiatorer eller komfurer, ovne eller kogeplader.
- Udsæt ikke apparatet for regn.
- Installér ikke apparatet, hvor der er direkte sollys.
- Monter ikke apparatet på områder, der er for fugtige eller for kolde.
- Når du flytter apparatet, skal du løfte op i forkanten, så gulvet ikke bliver ridset.

2.2 Tilslutning, el



ADVARSEL!

Risiko for brand og elektrisk stød.



ADVARSEL!

Ved placering af apparatet skal du sørge for, at forsyningsledningen ikke sætter sig fast eller bliver beskadiget.



ADVARSEL!

Brug ikke adaptere med flere stik og forlængerledninger.

- Apparatet skal tilsluttes strøm m/jord, jvf. Stærkstrømsreglementet.
- Sørg for, at parametrene på typeskiltet er kompatible med nettilslutningens elektriske mærkeværdier.
- Brug altid en korrekt monteret lovlig stikkontakt.
- Pas på, du ikke beskadiger de elektriske komponenter (f.eks. netstik, netledning, kompressor). Kontakt det autoriserede servicecenter eller en elektriker for at skifte de elektriske komponenter.
- Netledningen skal være under niveauet for netstikket.
- Sæt først netstikket i stikkontakten ved installationens afslutning. Sørg for, at der er adgang til elstikket efter installationen.
- Undgå at slukke for apparatet ved at trække i netledningen. Tag altid selve netstikket ud af kontakten.

2.3 Brug



ADVARSEL!

Risiko for personskade, forbrændinger, elektrisk stød eller brand.



Dette apparat indeholder brændbar gas, isobutan (R600a), en naturgas med høj biologisk nedbrydelighed. Vær omhyggelig med ikke at forårsage skade på kølekredsløbet, der indeholder isobutan.

- Apparatets specifikationer må ikke ændres.
- Anbring ikke el-apparater (f.eks. ismaskiner) i apparatet, medmindre det er angivet på apparatet som egnet af producenten.
- Hvis der opstår skader på kølekredsløbet, skal du sørge for, at der ikke er åben ild eller antændelseskilder i rummet. Luft ud i rummet.
- Lad ikke varme ting røre apparatets plastdele.
- Sæt ikke drikkevarer med kulsyre (brus) i fryserafdelingen. Dette vil skabe tryk på drikkevarerne.
- Opbevar ikke brandfarlig gas og væsker i apparatet.
- Undlad at bruge brændbare produkter eller ting, der er fugtet med brændbare produkter, i apparatet eller i nærheden af eller på dette.
- Rør ikke ved kompressoren eller kondensatoren. De er varme.
- Rør ikke ved ting fra fryserafdelingen, hvis dine hænder er våde eller fugtige.
- Indfrys ikke madvarer, der har været optøet.
- Følg opbevaringsanvisningerne på emballagen til frostvaren.
- Pak madvaren ind i fødekontaktmateriale, inden den lægges i fryseren.

2.4 Indvendig belysning



ADVARSEL!

Risiko for elektrisk stød.

- Vedrørende lampe(rne) i dette produkt og reservedelslamper, der sælges separat: Disse lamper er beregnet til at modstå ekstreme fysiske forhold i husholdningsapparater, såsom temperatur, vibration, fugt, eller er beregnet til at signalere information om apparatets driftsstatus. De er ikke beregnet til at blive brugt i andre apparater, og de er ikke velegnede til belysning af rum.

2.5 Vedligeholdelse og rengøring



ADVARSEL!

Risiko for skader på mennesker eller apparat.

- Sluk for apparatet, og tag stikket ud af kontakten inden vedligeholdelse.
- Apparatets kølesystem indeholder kulbrinter. Kun en faguddannet person må udføre vedligeholdelse og opladning af enheden.
- Undersøg jævnligt apparatets afløb, og rengør det, hvis det er nødvendigt. Hvis afløbet er blokeret, ophobes afrymningsvandet i bunden af apparatet.

2.6 Service

- Kontakt det autoriserede servicecenter for at få repareret apparatet. Brug kun originale reservedele.
- Bemærk, at hvis man selv reparerer apparatet, eller får det repareret af en

ikke-faglig, kan det have sikkerhedsmæssige konsekvenser og vil muligvis ugyldiggøre garantien.

- De følgende reservedele vil være tilgængelige i 7 år, efter produktionen af modellen er blevet standset: termostater, temperatursensorer, printplader, lyskilder, lågehåndtag, lågehængsler, bakker og kurve. Bemærk, at nogle af disse reservedele kun er tilgængelige for fagudlærte reparatører, og at ikke alle reservedele er relevante for alle modeller.
- Lågepakninger vil være tilgængelige i 10 år, efter produktionen af modellen er standset.

2.7 Bortskaffelse



ADVARSEL!

Risiko for personskade eller kvælning.

- Tag stikket ud af kontakten.
- Klip elledningen af, og kassér den.
- Fjern lågen, så børn og kæledyr ikke kan blive lukket inde i apparatet.
- Apparatets kølekredsløb og isoleringsmaterialer er ozonvenlige.
- Isoleringsskummet indeholder brændbar gas. Kontakt din genbrugsplads ang. oplysninger om, hvordan apparatet bortskaffes korrekt.
- Undgå at beskadige delene til køleenheden, der befinder sig i nærheden af varmeveksleren.

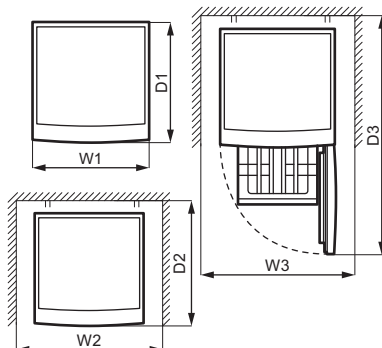
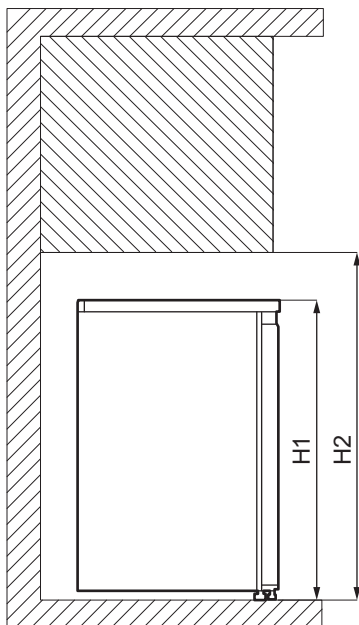
3. INSTALLATION



ADVARSEL!

Se kapitlerne om sikkerhed.

3.1 Mål



Samlede mål ¹⁾		
H1	mm	845
W1	mm	560
D1	mm	575

¹⁾ apparatets højde, bredde og dybde uden håndtaget og fødderne

Påkrævet plads under brug ¹⁾		
H2	mm	945
W2	mm	760
D2	mm	650

¹⁾ apparatets højde, bredde og dybde inkl. håndtaget, samt den nødvendige plads til fri cirkulation af den afkølede luft

Samlet plads påkrævet under brug ¹⁾		
H2	mm	945
W3	mm	760
D3	mm	1165

¹⁾ apparatets højde, bredde og dybde inkl. håndtaget, samt den nødvendige plads til fri cirkulation af den afkølede luft, samt den nødvendige plads for at lågen kan åbnes til den minimale vinkel, som gør det muligt at fjerne alt internt udstyr

3.2 Placering

Med henblik på at sikre apparatets bedste funktion bør du ikke installere apparatet i nærheden af varmekilden (ovn, komfurer, radiatorer eller kogeplader) eller på et sted med direkte

sollys. Sørg for, at luft kan cirkulere frit omkring bagsiden af skabet.

Hvis apparatet skal stå under et overskab, skal den minimale afstand mellem apparatets topplade og overskabets underside bevares. Så fungerer apparatet optimalt. Ideelt bør apparatet dog ikke placeres under overskabe. En eller flere justerbare fødder på bunden af skabet sikrer, at apparatet står lige.



Det skal være muligt at koble apparatet fra lysnettet. Der skal derfor være let adgang til stikket efter installationen.

3.3 Opstilling

Dette apparat er ikke beregnet til at blive brugt som et indbygningsapparat.

Dette apparat bør installeres i en tør, godt ventileret indendørs position.

Der kan kun garanteres korrekt drift af apparatet inden for det specifikke temperaturinterval. Dette apparat er beregnet til at blive brugt ved omgivende temperatur fra 10°C til 43°C.

Hvis de korrekte ventilationskrav ikke overholdes pga. en anden installation, vil apparatet fungere korrekt, men energiforbruget kan stige en smule.



Hvis du er i tvivl om, hvor du kan installere apparatet, bedes du henvende dig til sælgeren, vores kundeservice eller til det nærmeste autoriserede servicecenter.



Hvis du anbringer apparatet mod væggen, skal du bruge de medfølgende bagafstandsstykker eller holde den minimale afstand, der er angivet afsnittet "Mål".



FORSIGTIG!

Hvis du installerer apparatet ved siden af en væg, bedes du se afsnittet "Mål" for at forstå den minimale afstand mellem væggen og siden af apparatet, hvor lågehængslerne skal give nok plads til at åbne lågen, når det indvendige udstyr fjernes (f.eks. ved rengøring).

3.4 El-forbindelse

- Inden tilslutning til lysnettet skal det kontrolleres, at spændingen og frekvensen på mærkepladen svarer til boligens forsyningsstrøm.
- Apparatet skal tilsluttes strøm m/jord, jvf. Stærkstrømsreglementet. Stikket på netledningen har en kontakt til dette formål. Hvis der ikke er jord på stikkontakten, tilsluttes apparatet en særskilt jordforbindelse iht. Stærkstrømsreglementet. Spørg en autoriseret installatør til råds.
- Producenten fralægger sig ethvert ansvar, hvis de nævnte sikkerhedsregler ikke overholdes.
- Apparatet er i overensstemmelse med EU-direktiverne.

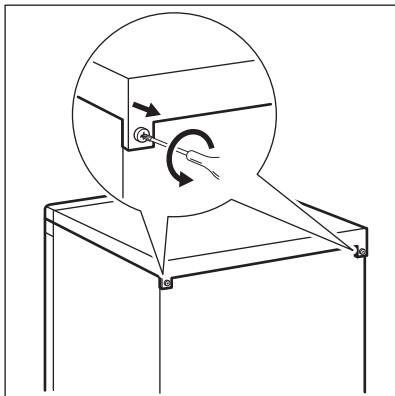
3.5 Vending af låge



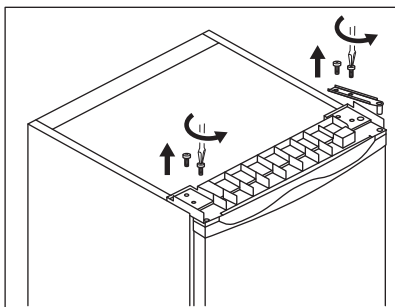
ADVARSEL!

Inden der udføres nogen form for arbejde på apparatet, skal stikket altid tages ud af kontakten.

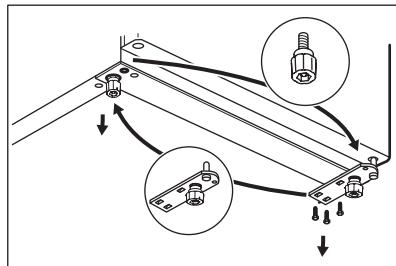
1. Sørg for, at apparatet står lodret.
2. Åbn lågen, og tag lågeudstyret ud. Se kapitlet "Daglig brug". Luk lågen.
3. Løsn skrueerne på bagsiden af det øverste dæksel.



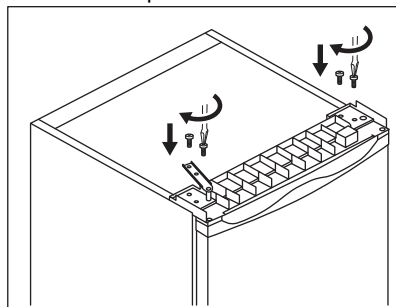
4. Løft det øverste dæksel, og placer det på en blød overflade.
5. Skru de 4 skruer ud.



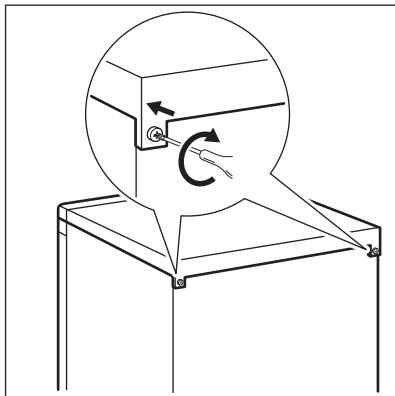
6. Løft det øverste hængsel, og læg det et sikkert sted sammen med skruerne.
7. Løft lågen, og placer den på en blød overflade.
8. Vip apparatet forsigtigt på en blød skumemballage eller lignende materiale for at undgå beskadigelse af apparatets bagside og gulvet.
9. Løsn skruerne på det nederste hængsel og de justerbare fødder.
10. Monter tappen i hængslets modsatte hul.



11. Skru det nederste hængsel på den anden side af apparatet.
12. Monter gummistøtten på siden uden hængsel.
13. Monter lågen på det nederste hængsel, mens du sørger for, at hængselstappen kommer ind i lågens nederste hul.
14. Montér det øverste hængsel i modsatte side af apparatet. Monter den øverste hængselstap i lågens øverste hul. Spænd skruerne.



15. Skru de resterende 2 skruer på den øverste side af apparatet uden hængsel.
16. Placer det øverste dæksel på apparatet, og spænd skruerne på bagsiden.



Monter lågeudstyret.

Vent mindst 4 timer, inden du slutter apparatet til strømforsyningen.

4. BETJENING

4.1 Aktivering

Sæt stikket i stikkontakten.

4.2 Deaktivering

For at slukke for apparatet skal du først tage stikket ud af stikkontakten.

4.3 Indstilling af temperatur

Temperaturen reguleres automatisk. Du kan dog selv indstille en temperatur inden i apparatet.

Vælg indstillingen, mens du husker på, at temperaturen i apparatet afhænger af:

- rumtemperaturen
- hvor ofte lågen åbnes
- mængden af mad
- hvor apparatet står.

I reglen er en mellemindstilling den mest passende.

5. DAGLIG BRUG



ADVARSEL!

Se kapitlerne om sikkerhed.

5.1 Nedfrysning af friske madvarer

Fryseafdelingen er velegnet til indfrysning af friske madvarer og til opbevaring af frosne og dybfrosne madvarer i lang tid.

Opbevar den friske mad jævnt fordelt i den første og anden afdeling eller skuffe fra oven.

Den maksimale mængde madvarer, der kan nedfryses, uden at tilføje andre friske madvarer i løbet af 24 timer, står på typepladen (et mærkat indvendig i apparatet).

5.2 Opbevaring af frosne madvarer

Når et apparat tændes for første gang eller efter en længere periode, hvor det ikke har været anvendt, skal det køre i mindst 3 timer, inden der lægges madvarer ind.

Fryseskufferne gør, at du hurtigt og nemt kan finde de madvarer, du skal bruge. Hvis der skal opbevares store mængder madvarer, tages alle skuffer ud, undtagen nederste skuffe, der skal blive siddende for at sikre god luftcirkulation.

Opbevar madvarerne med en afstand på mindst 15 mm fra døren.



FORSIGTIG!

Hvis madvarerne optøs ved et uheld, f.eks. som følge af strømsvigt, og strømafbrydelsen har været længere end den viste værdi på typeskiltet under "temperaturstigningstid", skal de optøede madvarer enten spises hurtigt eller tilberedes med det samme, nedkøles og derefter nedfryses igen.

5.3 Optøning

Når dybfrostvarer eller nedfrosne madvarer skal bruges, kan de optøs i

køleskabet eller ved stuetemperatur, afhængig af hvornår de skal bruges.

Små stykker kan endda tilberedes uden optøning, direkte fra fryseren: i så fald forlænges tilberedningstiden.

5.4 Isterningbakke

Apparatet har en eller flere bakker til isterninger.



Brug ikke metalgenstande til at tage bakkerne ud af frostrummet.

1. Fyld vand i isterningebakkerne.
2. Sæt dem i fryseren.

6. RÅD OG TIPS

6.1 Energisparetips

- Den interne konfiguration af apparatet er den, der sikrer den meste effektive energianvendelse.
- Åbn døren så lidt som muligt, og lad den ikke stå åben længere end nødvendigt.
- Jo koldere temperaturindstilling, des højere er energiforbruget.
- Sørg for en god udluftning. Dæk ikke ventilationsristerne eller hullerne.

6.2 Råd om frysning

- Inden nedfrysning skal friske madvarer pakkes ind og forsegles i: aluminiumsfolie, plastikfilm eller -poser, lufttætte beholdere med låg.
- For mere effektiv nedfrysning og optøning skal maden deles op i små portioner.
- Det anbefales at sætte mærkater og datoer på alle dine frosne madvarer. Dette vil hjælpe med at identificere mad og vide, hvornår det bør bruges, inden det bliver dårligt.
- Maden bør være frisk, når den fryses ned, for at bevare god kvalitet. Især frugt og grønt bør fryses ned efter høsten for at bevare alle deres næringsstoffer.
- Nedfrys ikke flasker eller dåser med væsker, især drikkevarer

- indeholdende kuldioxid - de kan eksplodere under nedfrysning.
- Sæt ikke varm mad i fryseren. Nedkøl den ved stuetemperatur, inden den placeres i afdelingen.
- For at undgå en temperaturstigning af allerede frosne mad må du ikke anbringe frisk ufrossen mad lige ved siden af den. Placer mad ved stuetemperatur i den del af fryseren, hvor der ikke er noget frosne mad.
- Undlad at spise isterninger og sodavandsis, lige efter du har taget dem ud af fryseren. Risiko for forfrysninger.
- Genfrys ikke optøet mad. Hvis maden er blevet optøet, skal den tilberedes, nedkøles og derefter fryses ned.

6.3 Tips om opbevaring af frostvarer

- Middeltemperaturindstillingen sikrer en god opbevaring af frosne madvarer. En højere temperaturindstilling inden i apparatet kan føre til kortere holdbarhed.
- Hele fryseren er velegnet til opbevaring af frosne madvarer.
- Lad der være nok plads omkring maden, til at luften kan cirkulere frit.

- For passende opbevaring bedes du se madens holdbarhed på mærkaten på madvarens emballage.
- Det er vigtigt at pakke mad ind på en sådan måde, at det forhindrer vand, fugt eller kondensvand i at trænge ind.

6.4 Tips til indkøb

Efter indkøb:

- Sørg for, at emballagen ikke er beskadiget - maden kan blive forringet. Hvis emballagen er opsvulmet eller våd, er den muligvis ikke blevet opbevaret under optimale

forhold, og optøningen er muligvis allerede gået i gang.

- Med henblik på at begrænse optøningen bør du købe frosne varer som det sidste under dit indkøb og transportere dem i en termisk og isoleret køletaske.
- Placer de frosne varer i fryseren med det samme, så snart du kommer tilbage fra butikken.
- Hvis mad er blevet optøet, selv delvist, bør du ikke genindfryse den. Spis det så hurtigt som muligt.
- Overhold udløbsdatoen og opbevaringsoplysningerne på emballagen.

6.5 Holdbarhed

Madvare	Holdbarhed (måneder)
Brød	3
Frugt (bortset fra citrus)	6 - 12
Grøntsager	8 - 10
Rester uden kød	1 - 2
Mejeriprodukter:	
Smør	6 - 9
Blød ost (f.eks. mozzarella)	3 - 4
Hård ost (f.eks. parmesan, cheddar)	6
Skaldyr:	
Fed fisk (f.eks. laks, makrel)	2 - 3
Mager fisk (f.eks. torsk, skrubbe)	4 - 6
Røjer	12
Afskallede muslinger	3 - 4
Kogt fisk	1 - 2
Kød:	
Fjerkræ	9 - 12
Oksekød	6 - 12
Svin	4 - 6
Lam	6 - 9
Pølse	1 - 2
Skinke	1 - 2
Rester med kød	2 - 3

7. VEDLIGEHOVELSE OG RENGØRING



ADVARSEL!

Se kapitlerne om sikkerhed.

7.1 Generelle advarsler



FORSIGTIG!

Kobl apparatet fra strømforsyningen, før der udføres nogen som helst form for vedligeholdelse.



Apparatets kølesystem indeholder kulbrinter, og service og påfyldning af kølemiddel må derfor kun udføres af en autoriseret tekniker.



Apparatets dele og tilbehør egner sig ikke til opvask i maskine.

7.2 Indvendig rengøring

Inden apparatet tages i brug bør det vaskes indvendig (inkl. tilbehør) med lunkent vand tilsat neutral sæbe for at fjerne den typiske lugt af nyt apparat. Tør grundigt efter.



FORSIGTIG!

Brug ikke vaskemidler, skurepulver, chlor eller oliebaseerede rengøringsmidler, da de beskadiger finishets overflade.

7.3 Regelmæssig rengøring

Apparatet skal jævnlig rengøres:

1. Vask det indvendigt, inkl. tilbehør, med lunkent vand tilsat neutral sæbe.
2. Efterse jævnlig lågepakningerne, og tør dem af, så de er rene og fri for belægninger.
3. Skyl og tør grundigt af.

7.4 Afrimning af apparatet



FORSIGTIG!

Brug aldrig skarpe metalgenstande til at skrabe rim af fryseren. Det kan beskadige den. Brug ikke mekaniske redskaber eller andre kunstige hjælpemidler til at fremskynde optøningen, medmindre det er anbefalet af producenten.



Ca. 12 timer før afrimningen indstilles termostatknappen til en lavere temperatur for at opbygge tilstrækkelig ekstra køling i tilfælde af afbrydelse i driften.

Fryseren skal afrimes, når laget af rim er 3-5 mm tykt.

Sådan afrimes fryseren:

1. Sluk for apparatet, og tag elstikket ud af stikkontakten.
2. Tag eventuelle madvarer ud, pak dem ind i flere lag avispapir, og læg dem et koldt sted.



FORSIGTIG!

Hvis dybfrostvarernes temperatur er steget under afrimningen, kan det forkorte deres holdbarhed. Rør ikke frostvarer med våde hænder. Hænderne kan fryse fast til pakken.

3. Fjern isterningebakken.
4. Lad lågen stå åben. Beskyt gulvet mod afrimningsvandet, f.eks. med en klud eller en flad beholder.
5. Sæt evt. en grydefuld varmt vand i frostafdelingen for at fremskynde optøningen. Fjern efterhånden de stykker is, der går løs under afrimningen.
6. Når afrimningen er afsluttet, tørres grundigt af indvendig.
7. Tænd for apparatet, og luk lågen.

8. Sæt termostatknappen på højeste trin, og lad apparatet stå på denne indstilling i tre timer.

Sæt først derefter maden tilbage i fryseren.

7.5 Pause i brug

Tag følgende forholdsregler, når apparatet ikke skal bruges i længere tid:

1. Tag stikket ud af stikkontakten.
2. Tag al maden ud.
3. Afrim (hvis nødvendigt) og rengør apparatet og alt tilbehør.
4. Lad døren/dørene stå åben for at forebygge ubehagelig lugt.

8. FEJLFINDING



ADVARSEL!

Se kapitlerne om sikkerhed.

8.1 Hvis noget går galt

Problem	Mulige årsager	Opløsning
Apparatet virker ikke.	Der er slukket for apparatet.	Tænd for køleskabet.
	Stikket er ikke sat rigtigt i stikkontakten.	Sæt stikket helt ind i stikkontakten.
Apparatet støjer.	Der er ingen strøm i stikkontakten.	Prøv at tilslutte et andet elektrisk apparat til den pågældende stikkontakt. Kontakt en autoriseret elektriker.
	Apparatet står ikke stabilt.	Kontrollér, om apparatet står stabilt.
Kompressoren kører hele tiden.	Temperaturen er indstillet forkert.	Se kapitlet "Betjening".
	Der blev lagt for store mængder madvarer i på samme tid.	Vent nogle få timer, og kontrollér så temperaturen igen.
Lågen flugter ikke med skabet eller støder på ventilationsristen.	Der er for høj stuetemperatur.	Se kapitlet "Installation".
	Madvarerne var for varme, da de blev lagt i apparatet.	Lad madvarerne komme ned på stuetemperatur, før de lægges i.
Lågen flugter ikke med skabet eller støder på ventilationsristen.	Døren er ikke lukket rigtigt.	Se afsnittet "Lukning af lågen".
	Apparatet er ikke i vater.	Se installationsinstruktionerne.

Problem	Mulige årsager	Opløsning
Lågen åbner ikke nemt.	Du forsøgte at åbne lågen igen, lige efter den blev lukket.	Vent nogle få sekunder mellem lukning og genåbning af lågen.
Der er for meget rim og is.	Døren er ikke lukket rigtigt.	Se afsnittet "Lukning af lågen".
	Lågepakningen er defekt eller snavset.	Se afsnittet "Lukning af lågen".
	Madvarerne er ikke pakket godt nok ind.	Pak madvarerne rigtigt ind.
	Temperaturen er indstillet forkert.	Se kapitlet "Betjening".
	Apparatet er helt fuldt og står på den laveste temperatur.	Vælg en højere temperatur. Se kapitlet "Betjening".
	Temperatur indstillet i apparatet er for lav, og den omgivende temperatur er for høj.	Vælg en højere temperatur. Se kapitlet "Betjening".
Der løber vand inde i køleskabet.	Madvarer forhindrer, at vandet løber ned i vandbeholderen.	Sørg for, at madvarerne ikke rører ved bagpladen.
	Vandafløbet er tilstoppet.	Rens vandafløbet.
Der løber vand ud på gulvet.	Smeltevandsafløbet er ikke tilsluttet fordampningsbakken over kompressoren.	Tilslut smeltevandsafløbet til fordampningsbakken.
Temperaturen i apparatet er for lav/høj.	Temperaturen er ikke indstillet korrekt.	Vælg en højere/lavere temperatur.
	Døren er ikke lukket rigtigt.	Se afsnittet "Lukning af lågen".
	Madvarernes temperatur er for høj.	Lad madvarerne køle ned til stuetemperatur, før de sættes i skabet.
	Der er lagt for store mængder madvarer i på samme tid.	Læg færre madvarer i ad gangen.
	Tykkelsen af rimen er over 4-5 mm.	Afrim apparatet.
	Lågen er blevet åbnet for tit.	Åbn kun lågen, når det er nødvendigt.

Problem	Mulige årsager	Opløsning
	Der cirkulerer ikke kold luft i apparatet.	Kontrollér, at der cirkulerer kold luft i apparatet. Se kapitlet "Nyttige oplysninger og råd".

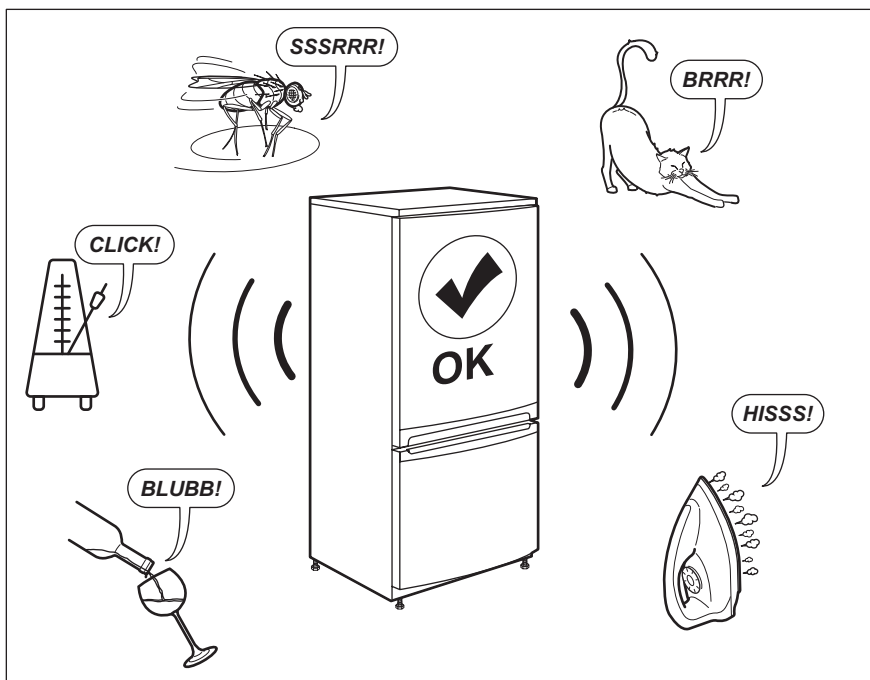
i Hvis rådet ikke fører til det ønskede resultat, skal du ringe til det nærmeste autoriserede servicecenter.

2. Justér lågen, hvis den ikke slutter tæt. Se kapitlet "Installation".
3. Udskift evt. defekte lågepakninger. Kontakt det autoriserede servicecenter.

8.2 Lukning af lågen

1. Rengør lågepakningerne.

9. STØJ



10. TEKNISKE DATA

De tekniske specifikationer fremgår af typeskiltet indvendigt i skabet samt af energimærket.

QR-koden på energimærket, der leveres med apparatet, indeholder et weblink til

oplysningerne relateret til apparatets ydelse i EU EPREL-databasen. Opbevar energimærket til reference sammen med brugervejledningen og alle andre dokumenter, der følger med dette apparat.

Det er også muligt at finde de samme oplysninger i EPREL ved hjælp af linket <https://eprel.ec.europa.eu> og modelnavnet og produktnummeret, som du finder på apparatets typeskilt.


Se linket www.theenergylabel.eu for detaljerede oplysninger om energimærket.


11. OPLYSNINGER TIL TESTINSTITUTTER

Installation og klargøring af apparatet til en eventuel EcoDesign-verifikation skal være i overensstemmelse med EN 62552. Ventilationskrav, mål af fordybning og minimale afstande bagpå skal være som angivet i denne

brugervejledning i kapitel 3. Kontakt producenten vedrørende andre yderligere oplysninger, herunder fyldningsplaner.

12. MILJØHENSYN

Genbrug materialer med symbolet . Anbring emballagematerialet i passende beholdere til genbrug. Hjælp med at beskytte miljøet og menneskelig sundhed samt at genbruge affald af elektriske og elektroniske apparater.

Kasser ikke apparater, der er mærket med symbolet , sammen med husholdningsaffaldet. Lever produktet tilbage til din lokale genbrugsplads eller kontakt din kommune.

SISÄLTÖ

1. TURVALLISUUSTIEDOT.....	34
2. TURVALLISUUSOHJEET.....	36
3. ASENNUS.....	38
4. KÄYTTÖ.....	42
5. PÄIVITTÄINEN KÄYTTÖ.....	42
6. VIHJEITÄ JA NEUVOJA.....	43
7. HOITO JA PUHDISTUS.....	45
8. VIANMÄÄRITYS.....	46
9. ÄÄNET.....	49
10. TEKNISET TIEDOT.....	49
11. TIETOJA TESTILAITOKSELLE.....	49

SINUN PARHAAKSESI

Kiitämme teitä Electrolux-laitteen hankinnasta. Olette valinneet tuotteen, joka perustuu vuosikymmenien aikana saatuun kokemukseen ja innovaatioon. Kekseliäs ja tyylikäs laite, joka on suunniteltu teitä ajatellen. Laitetta käyttäessänne voitte olla aina varma erinomaisista tuloksista. Tervetuloa Electroluxiin.

Vieraile verkkosivullamme:



Saadaksesi käyttöön liittyviä neuvoja, esitteitä, vianmääritysohjeita ja korjausohjeita:

www.electrolux.com/support



Rekisteröi tuote paremman palvelun saamiseksi:

www.registerelectrolux.com



Ostaaksesi laitteesi lisävarusteita, kulutusosia ja alkuperäisiä varaosia:

www.electrolux.com/shop

ASIAKASPALVELU JA HUOLTO

Käytä aina vain alkuperäisiä varaosia.

Pidä seuraavat tiedot saatavilla ottaessasi yhteyttä valtuutettuun huoltoliikkeeseemme. Malli, tuotenumero, sarjanumero.

Tiedot löytyvät arvokilvestä.

 Varoitukset/huomautukset ja turvallisuusohjeet

 Yleisohjeet ja vinkit

 Ympäristönsuojeluohjeita

Oikeus muutoksiin pidätetään.

1. TURVALLISUUSTIEDOT

Lue laitteen mukana toimitetut ohjeet ennen laitteen asennusta ja käyttöä. Valmistaja ei ota vastuuta henkilövahingoista tai vahingoista, jotka aiheutuvat

virheellisestä asennuksesta tai käytöstä. Säilytä ohjeita aina varmassa ja helppopääsyisessä paikassa tulevia käyttökertoja varten.

1.1 Lasten ja taitamattomien henkilöiden turvallisuus

- Vähintään 8 vuotta täyttäneet lapset ja sellaiset henkilöt, joiden fyysiset, sensoriset tai henkiset kyvyt eivät ole tähän riittäviä tai joilla ei ole laitteen tuntemusta tai kokemusta sen käytöstä, saavat käyttää tätä laitetta ainoastaan silloin, kun heidän turvallisuudestaan vastaava henkilö valvoo ja ohjaa heitä käyttämään laitetta turvallisesti ja ymmärtämään sen käyttöön liittyvät vaarat.
- 3-8-vuotiaat lapset saavat täyttää ja tyhjentää laitteen, jos heitä on ohjattu asianmukaisesti.
- Erittäin vakavasti liikuntarajoitteiset henkilöt saavat käyttää tätä laitetta, jos heitä on ohjattu asianmukaisesti.
- Alle 3-vuotiaat lapset tulee pitää kaukana laitteesta, ellei heitä valvota jatkuvasti.
- Älä anna lasten leikkiä laitteella.
- Lapset eivät saa puhdistaa laitetta tai suorittaa laitteeseen käyttäjän huoltotoimenpiteitä.
- Kaikki pakkaukset tulee pitää lasten ulottumattomissa ja hävittää asianmukaisesti.

1.2 Yleiset turvallisuusohjeet

- Laite on tarkoitettu käytettäväksi kotiympäristöissä ja vastaavissa ympäristöissä, kuten:
 - maatalot, henkilöstön keittiöympäristöt liikkeissä, toimistoissa ja muissa työympäristöissä
 - hotellien, motellien ja muiden majatalojen asiakkaiden kodinomainen käyttöympäristö.
- Noudata seuraavia ohjeita elintarvikkeiden pilaantumisen välttämiseksi:
 - vältä pitämästä ovea pitkään auki

- elintarvikkeisiin kosketuksissa olevat pinnat ja saavutettavissa olevat tyhjennysjärjestelmät tulee puhdistaa säännöllisesti
- VAROITUS: Pidä kalusteeseen asennetun laitteen syvennyksen tai kalustekaapin ilmanvaihtoaukot vapaina.
- VAROITUS: Älä yritä nopeuttaa sulatusta mekaanisilla tai muilla sellaisilla välineillä, joita valmistaja ei ole neuvonut käyttämään.
- VAROITUS: Varo, ettei jäähdytysputkisto vaurioidu.
- VAROITUS: Älä käytä sähkölaitteita elintarvikkeiden säilytystiloissa, elleivät ne ole valmistajan suosittelemaa tyyppiä.
- Älä suihkuta vettä tai käytä höyryä laitteen puhdistamiseen.
- Puhdista laite kostealla pehmeällä liinalla. Käytä vain mietoja puhdistusaineita. Älä käytä hankausainetta, hankaavia pesulappuja, liuottimia tai metalliesineitä.
- Jos laite on pitkään tyhjä, sammuta, sulata, puhdista ja kuivaa laite ja jätä sen ovi auki, jotta hometta ei synny laitteen sisälle.
- Älä säilytä laitteessa räjähtäviä aineita, kuten syttyvien ponneaineiden aerosolipulloja.
- Jos virtajohto vaurioituu, sen saa vaaratilanteiden välttämiseksi vaihtaa vain valmistaja, valtuutettu huoltoliike tai vastaava ammattitaitoinen henkilö.

2. TURVALLISUUSOHJEET

2.1 Asennus



VAROITUS!

Asennuksen saa suorittaa vain ammattitaitoinen henkilö.

- Poista kaikki pakkausmateriaalit.
- Vaurioitunutta laitetta ei saa asentaa tai käyttää.
- Noudata koneen mukana toimitettuja asennusohjeita.
- Siirrä laitetta aina varoen, sillä se on raskas. Käytä aina suojakäsineitä ja suojaavia jalkineita.
- Varmista, että ilmankierto on hyvä laitteen ympärillä.
- Odota vähintään 4 tuntia ennen laitteen kytkemistä sähköverkkoon ensimmäisen asennuksen tai oven avautumissuunnan vaihtamisen jälkeen. Täten öljy virtaa takaisin kompressoriin.
- Irrota pistoke sähköverkosta aina ennen laitteen käsittelyä (esim. oven avautumissuunnan vaihtamista).
- Älä asenna laitetta lämmittimien tai liesien, uunien tai keittotasojen lähelle.

- Suojaa laite vesisateelta.
- Laitetta ei saa asentaa suoraan auringonvaloon.
- Tätä laitetta ei saa asentaa liian kosteisiin tai kylmiin ympäristöihin.
- Kun siirrät laitetta, nosta sitä etureunasta, jotta naarmuta lattiaa.

2.2 Sähköliitäntä



VAROITUS!

Tulipalo- ja sähköiskuvaara.



VAROITUS!

Varmista laitteen sijoittamisen yhteydessä, ettei virtajohto ole jäänyt puristuksiin tai ole vaurioitunut.



VAROITUS!

Älä käytä jakorasioita tai jatkojohtoja.

- Laite on kytkettävä maadoitettuun pistorasiaan.
- Varmista, että arvokilvessä olevat parametrit ovat verkkovirtalähteen sähköarvojen mukaisia.
- Kytke pistoke maadoitettuun pistorasiaan.
- Varmista, etteivät sähköosat vaurioidu (esim. pistoke, virtajohto, kompressori). Ota yhteyttä valtuutettuun huoltopalveluun tai sähköasentajaan sähköosien vaihtamiseksi.
- Virtajohdon on oltava aina pistokkeen alapuolella.
- Kytke pistoke pistorasiaan vasta asennuksen jälkeen. Varmista, että laitteen verkkovirtakytkentä on ulottuvilla laitteen asennuksen jälkeen.
- Älä vedä virtajohdosta pistoketta irrottaessasi. Vedä aina pistokkeesta.

2.3 Käyttö



VAROITUS!

Henkilövahinkojen, palovammojen tai sähköiskujen tai tulipalon vaara.



Laite sisältää syttyvää kaasua, isobutaania (R600a), joka on hyvin ympäristöystävällinen maakaasu. Varo, ettei isobutaania sisältävä jäähdytysputkisto vaurioidu.

- Älä muuta laitteen teknisiä ominaisuuksia.
- Älä aseta sähkölaitteita (esim. jäätelökoneita) laitteeseen, ellei valmistaja ole antanut lupaa niiden käyttöön.
- Jos jäähdytysputkisto vaurioituu, varmista, ettei huoneessa ole avotulta ja syytyslähteitä. Huolehdi hyvästä ilmanvaihdosta.
- Älä anna kuumien esineiden koskea laitteen muoviosia.
- Älä aseta virvoitusjuomia pakastimeen. Muutoin juomasäiliöön muodostuu painetta.
- Älä säilytä tulenarkoja kaasuja tai nesteitä laitteessa.
- Älä aseta laitteeseen, sen lähelle tai päälle syttyviä tuotteita tai syttyviin tuotteisiin kostutettuja esineitä.
- Älä kosketa kompressoriin tai lauhduttimeen. Ne ovat kuumia.
- Älä poista pakastimen tuotteita tai kosketa niihin, jos kätesi ovat märät tai kosteat.
- Älä pakasta uudelleen jo sulaneita elintarvikkeita.
- Noudata pakasteiden pakkauksessa olevia säilytysohjeita.
- Kääri ruoat elintarvikekäyttöön tarkoitettuun materiaaliin ennen niiden asettamista pakastimeen.

2.4 Sisävalo



VAROITUS!

Sähköiskun vaara.

- Lisätietoa tämän tuotteen sisällä olevista lampuista sekä erikseen myytävistä varalampuista: Kyseiset lamput on suunniteltu kestäämään kodinkoneissa vaatavia fyysisiä olosuhteita (esim. lämpötila, värinä, kosteus) tai ne antavat tietoa laitteen toimintatilasta. Niitä ei ole tarkoitettu muihin käyttötarkoituksiin eivätkä ne sovi huoneiden valaisemiseen.

2.5 Hoito ja puhdistus



VAROITUS!

Virheellinen käyttö voi aiheuttaa henkilövahinkoja tai laitteen vaurioitumisen.

- Kytke laite pois toiminnasta ja irrota pistoke pistorasiasta ennen ylläpitotoimien aloittamista.
- Laitteen jäähdytysyksikkö sisältää hiilivetyä. Ainoastaan pätevä alan ammattilainen saa huoltaa yksikköä ja täyttää sen uudelleen.
- Tarkista laitteen poistoaukko säännöllisesti ja puhdista se tarvittaessa. Jos poistoaukko on tukossa, sulanut vesi kerääntyy laitteen pohjalle.

2.6 Huolto

- Kun laite on korjattava, ota yhteyttä valtuutettuun huoltopalveluun. Käytä vain alkuperäisiä varaosia.
- Huomaa, että itse suoritetut tai muut kuin ammattilaisen suorittamat korjaukset voivat aiheuttaa vaaratilanteita ja mitätöidä takuun.
- Seuraavat varaosat ovat saatavilla 7 vuoden ajan mallin tuotannon

lopettamisesta: termostaatiit, lämpötila-anturit, piirilevyt, valonlähteet, ovenkahvat, oven saranat, telineet ja korit. Huomaa, että jotkin näistä varaosista ovat saatavilla ainoastaan ammattilaiskorjajille ja kaikki varaosat eivät välttämättä koske kaikkia malleja.

- Oven tiivisteet ovat saatavilla 10 vuoden ajan mallin tuotannon lopettamisesta.

2.7 Hävittäminen



VAROITUS!

Henkilövahinko- tai tukehtumisvaara.

- Irrota pistoke pistorasiasta.
- Leikkaa johto irti ja hävitä se.
- Poista ovi, jotta lapset ja eläimet eivät voisi jäädä kiinni laitteen sisälle.
- Tämän laitteen jäähdytysputkistossa ja eristysmateriaaleissa ei ole otsonikerrokselle haitallisia aineita.
- Eristevaahto sisältää tulenarkaa kaasua. Kysy lisätietoa laitteen oikeaoppisesta hävittämisestä paikalliselta viranomaiselta.
- Älä vaurioita lämmönvaihtimen lähellä olevaa jääkaapin osaa.

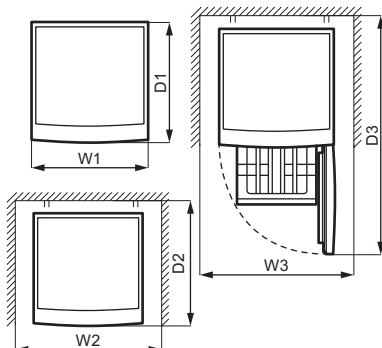
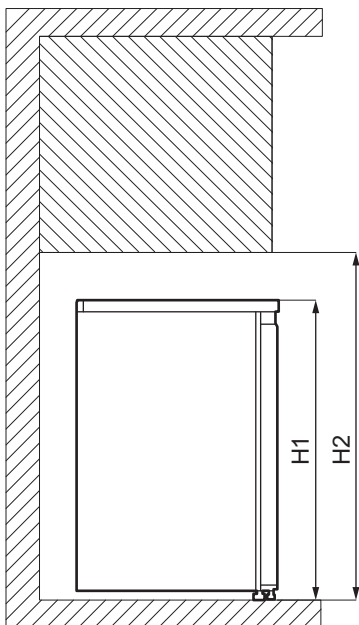
3. ASENNUS



VAROITUS!

Lue turvallisuutta koskevat luvut.

3.1 Mitat



Kokonaismitat ¹⁾		
H1	mm	845
W1	mm	560
D1	mm	575

¹⁾ laitteen korkeus, leveys ja syvyys ilman kahvaa ja jalvoja

Käytön vaatima tila ¹⁾		
H2	mm	945
W2	mm	760
D2	mm	650

¹⁾ laitteen korkeus, leveys ja syvyys kahva mukaan luettuna, sekä jäähdytysilman vapaaseen kiertoon vaadittu tila

Käytön vaatima kokonaistila ¹⁾		
H2	mm	945
W3	mm	760
D3	mm	1165

¹⁾ laitteen korkeus, leveys ja syvyys kahva mukaan luettuna, sekä jäähdytysilman vapaaseen kiertoon vaadittu tila ja oven vähimmäiskulmaan avaamisen vaatima tila kaikkien sisävarusteiden poistamista varten

3.2 Sijainti

Varmista laitteen optimaalinen toiminta asentamalla se kauas lämpölähteistä (uunit, liedet, lämpöpatterit ja keittotasot) ja suojaamalla se suoralta auringonvalolta. Tarkista, että ilma pääsee kiertämään vapaasti laitteen takana.

Jos laite sijoitetaan keittiökaapin alapuolelle, vähimmäisetäisyys tulee säilyttää laitteen yläreunaan parhaan suorituskyvyn varmistamiseksi. Mahdollisuuksien mukaan tulee kuitenkin välttää sijoittamista laitetta kalustekaapin alapuolelle. Laitteen alaosassa olevan yhden tai useamman säätöjalan avulla varmistetaan, että laite pysyy vaakatasossa.



Laite on tarvittaessa voitava kytkeä irti verkkovirrasta. Pistokkeen on oltava helposti ulottuvilla asennuksen jälkeen.

3.3 Sijoittaminen

Tätä laitetta ei ole tarkoitettu kalusteeseen asennettavaksi.

Tämä laite tulee asentaa kuivaan ja hyvin tuuletettuun sisätilaan.

Laitteen virheetön toiminta taataan vain määritetyllä lämpötilavälillä. Tämä laite on tarkoitettu käytettäväksi ympäristölämpötilassa 10°C - 43°C.

Jos asianmukaisia ilmanvaihtovaatimuksia ei noudateta poikkeavan asennuksen vuoksi, laite toimii virheettömästi, mutta sen energiankulutus voi olla suurempi.



Jos laitteen asennuspaikan valitsemisessa on epäselvyyksiä, käänny jälleenmyyjän, asiakaspalvelumme tai lähimmän valtuutetun huoltopalvelun puoleen.



Jos laite sijoitetaan seinää vasten, käytä pakkaukseen kuuluvia takaosan välikappaleita tai varmista "Mitat"-kohdassa annettu vähimmäisetäisyys.



HUOMIO!

Jos laite asennetaan seinän viereen, katso "Mitat"-kohdasta laitteen ovisaranoilla varustetun sivun ja seinän välinen vähimmäisetäisyys, jotta ovi voidaan avata riittävästi sisävarusteiden poistamisen yhteydessä (esim. puhdistamisen aikana).

3.4 Sähköliitäntä

- Ennen kuin kytket laitteen verkkovirtaan, tarkista, että arvokilvessä mainittu jännite ja taajuus vastaavat verkkovirran arvoja.
- Laite on kytkettävä maadoitettuun pistorasiaan. Virtajohdon pistoke on varustettu maadoituskoskettimella. Jos pistorasia, johon laite kytketään, ei ole maadoitettu, ota yhteys sähköasentajaan ja pyydä asentajaa kytkemään laite erilliseen maadoitusliittimeen voimassa olevien määräysten mukaisesti.
- Valmistaja ei vastaa millään tavalla vahingoista, mikäli edellä olevia turvallisuusohjeita ei ole noudatettu.
- Tämä kodinkone täyttää Euroopan yhteisön direktiivien vaatimukset.

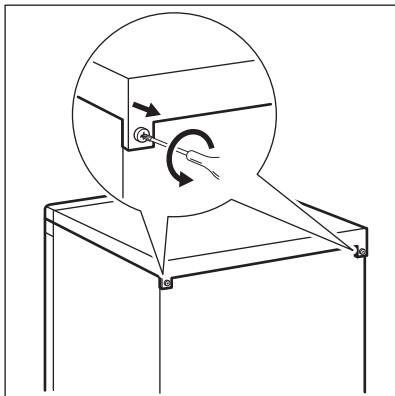
3.5 Oven kätisyyden vaihtaminen



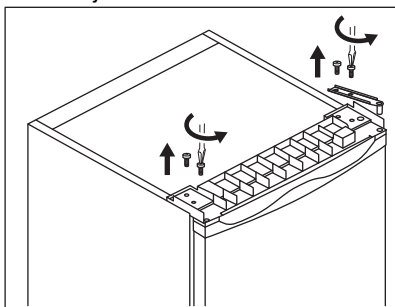
VAROITUS!

Irrota virtajohto pistorasiasta ennen kuin aloitat mitään toimenpiteitä.

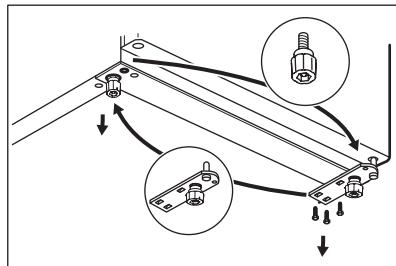
1. Tarkista, että laite on pystyssä kohtisuorassa.
2. Avaa ovi ja poista sen varustukset. Katso kohta "Päivittäinen käyttö". Sulje ovi.
3. Ruuvaa auki yläkannen takana olevat ruuvit.



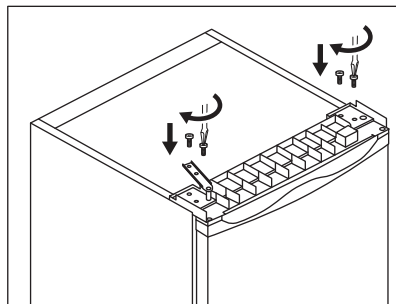
4. Nosta yläkansi ja aseta se pehmeälle alustalle.
5. Irrota neljä ruuvia.



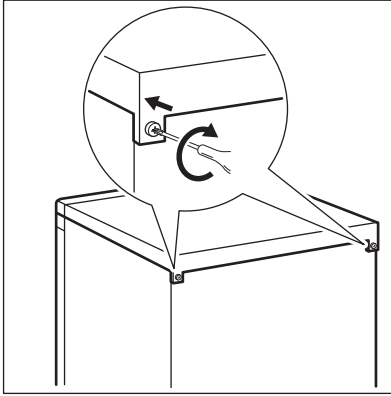
6. Nosta yläsarana ja aseta se varmaan paikkaan ruuvien ohella.
7. Nosta ovi ja aseta se pehmeälle alustalle.
8. Kallista laite varoen pehmeän vaahtopakkauksen tai vastaavan materiaalin päälle, jotta laitteen takaosaan ja lattiaan ei tulisi vaurioita.
9. Irrota alasaranan ruuvit ja säädettävät jalat.
10. Aseta tappi saranan vastakkaiseen reikään.



11. Kiinnitä alasarana laitteen vastakkaiselle puolelle.
12. Asenna kumialusta saranattomalle puolelle.
13. Asenna ovi alasaranaan varmistamalla, että saranan tappi asettuu oven alareikään.
14. Asenna yläsarana laitteen vastakkaiselle puolelle. Kiinnitä yläsaranan tappi oven yläreikään. Kiristä ruuvit.



15. Ruuvaa 2 jäljellä olevaa ruuvia laitteen yläpuolelle, jossa ei ole saranaa.
16. Asenna yläsuoja laitteeseen ja kiristä takaosan ruuvit.



Asenna oven varusteet paikalleen.

Odota vähintään 4 tuntia ennen kuin kytket laitteen sähköverkkoon.

4. KÄYTTÖ

4.1 Laitteen kytkeminen toimintaan

Kiinnitä pistoke pistorasiaan.

4.2 Laitteen kytkeminen pois toiminnasta

Kytke laite pois päältä irrottamalla pistoke pistorasiasta.

4.3 Lämpötilan säätäminen

Lämpötila säätyy automaattisesti. Lämpötilaa voidaan kuitenkin säätää laitteen sisällä.

Valitse asetus ottamalla huomioon, että sisälämpötilaan vaikuttavat seuraavat seikat:

- huoneen lämpötila
- oven avaustiheys
- säilytettävien elintarvikkeiden määrä
- laitteen sijainti.

Keskiasento on yleensä sopivin asetus.

5. PÄIVITTÄINEN KÄYTTÖ



VAROITUS!

Lue turvallisuutta koskevat luvut.

5.1 Tuoreiden elintarvikkeiden pakastaminen

Pakastinosasto soveltuu tuoreiden elintarvikkeiden pakastamiseen sekä valmispakasteiden pitkäaikaiseen säilyttämiseen.

Aseta tuoreet elintarvikkeet tasaisesti ensimmäiseen ja toiseen lokeroon tai laatikkoon ylhäältä.

24 tunnin aikana pakastettavien elintarvikkeiden enimmäismäärä on merkitty arvokilpeen (sijaitsee laitteen sisäpuolella).

5.2 Pakasteiden säilyttäminen

Kun käynnistät laitteen ensimmäistä kertaa tai pitkän käyttämättömän jakson jälkeen, anna laitteen toimia vähintään 3 tunnin ajan ennen tuotteiden lisäämistä osastoon.

Pakastuslaatikoiden ansiosta löydät haluamasi pakkauksen helposti ja nopeasti. Jos pakastat suuren määrän elintarvikkeita, poista kaikki laatikot

alalaatikka lukuun ottamatta. Alalaatikon on oltava paikallaan, jotta ilmankierto toimii asianmukaisesti.

Säilytä elintarvikkeita vähintään 15 mm päässä ovesta.



HUOMIO!

Jos pakastin sulaa vahingossa esimerkiksi sähkökatkon vuoksi, kun sähkö on ollut poikki pitempään kuin arvokilvessä (kohdassa Käyttöönottoaika) mainitun ajan, sulaneet elintarvikkeet on käytettävä nopeasti tai valmistettava ruoaksi ja sitten jäähdytettävä, minkä jälkeen ne voidaan pakastaa uudelleen.

5.3 Sulatus

Pakasteet voidaan sulattaa ennen käyttöä jääkaapissa tai huoneen

lämpötilassa riippuen siitä, kuinka nopeasti niitä tarvitaan.

Pienempiä paloja voidaan kypsentää myös jäisinä suoraan pakastimesta otettuna. Kypsennys kestää tässä tapauksessa pitempään.

5.4 Jääpalatarjotin

Laitteen mukana toimitetaan yksi tai useampi jääpalatarjotin.



Älä käytä apuna metallisia välineitä ottaessasi jääpalatarjottimet pois pakastimesta.

1. Täytä jääpalatarjottimet vedellä.
2. Aseta ne pakastinosastoon.

6. VIHJEITÄ JA NEUVOJA

6.1 Energiansäästövinkkejä

- Laitteen sisäinen kokoonpano takaa tehokkaimman energiankulutuksen.
- Älä avaa ovea usein tai pidä ovea auki pitempään kuin on tarpeen.
- Mitä alhaisempi lämpötila-asetus, sitä suurempi energiankulutus.
- Varmista hyvä ilmankierto. Älä peitä ilmanvaihtoritilöitä tai reikiä.

6.2 Pakastusohjeita

- Kääri ja tiivistä tuoreet elintarvikkeet ennen pakastamista alumiinifolioon, muovikelmuun tai -pusseihin, ilmatiiviisiin kannellisiin astioihin.
- Jaa ruoat pieniin osiin niiden tehokkaampaa pakastusta ja sulatusta varten.
- Kaikkiin pakasteisiin on suositeltavaa lisätä etiketit ja päivämäärät. Tämä helpottaa elintarvikkeiden tunnistamista ja mahdollistaa pakasteiden käyttämisen ennen niiden pilaantumista.
- Elintarvikkeet tulee pakastaa tuoreina hyvän laadun varmistamiseksi.

Erityisesti hedelmät ja vihannekset tulee pakastaa tuoreina, jotta niiden kaikki ravintoaineet säilyisivät.

- Älä pakasta nesteitä sisältäviä pulloja tai tölkkejä, varsinkaan hiilihapollisia juomia - ne voivat räjähtää pakastuksen aikana.
- Älä laita ruokia pakastinosastoon kuumina. Anna niiden jäähtyä huoneen lämpötilassa ennen pakastamista.
- Älä aseta tuoreita pakastamattomia elintarvikkeita pakastettujen ruokien viereen välttääksesi pakastettujen ruokien lämpötilan nousun. Aseta huoneenlämpöiset ruoat pakastinosaston kohtaan, jossa ei ole muita pakasteita.
- Älä nauti jääkuutioita tai vesijäätelöitä heti niiden pakastimesta poistamisen jälkeen. Paleltumavaara.
- Älä pakasta sulaneita ruokia uudelleen. Jos ruoka on sulanut, kypsennä ja jäähdytä se ennen pakastamista.

6.3 Pakasteiden säilytysohjeita

- Keskip korkea lämpötila-asetus varmistaa pakasteiden hyvän säilyvyyden.
Korkeampi laitteen lämpötila-asetus voi johtaa elintarvikkeiden nopeampaan pilaantumiseen.
- Pakasteita voidaan säilyttää kaikkialla pakastinosastossa.
- Jätä ruokien ympärille riittävästi tilaa vapaan ilmankierron mahdollistamiseksi.
- Tarkista säilytysaika elintarvikkeiden pakkausmerkinnöistä.
- Elintarvikkeet on tärkeää pakata niin, että ne on suojattu vedeltä, kosteudelta ja kosteuden tiivistymiseltä.

- Varmista, ettei pakkaus ole vaurioitunut - muutoin vaarana on ruoan pilaantuminen. Jos pakkaus on paisunut tai märkä, sitä ei ole välttämättä säilytetty optimaalisissa olosuhteissa ja se voi olla jo osittain sulanut.
- Jotta pakasteiden sulaminen vältettäisiin, hae pakasteet vasta ruokaostoksien lopussa ja kuljeta ne eristetyssä kylmäkassissa.
- Aseta pakasteet pakastimeen välittömästi kaupassakäynnin jälkeen.
- Jos pakasteet ovat sulaneet osittainkin, niitä ei saa pakastaa uudelleen. Käytä ne mahdollisimman pian.
- Noudata pakkaukseen merkittyä viimeistä käyttöpäivämäärää ja säilytysohjeita.

6.4 Vinkkejä kaupassakäyntiin

Kaupassakäynnin jälkeen:

6.5 Säilytysaika

Ruokalaji	Säilytysaika (kuukautta)
Leipä	3
Hedelmät (ei koske sitrushedelmiä)	6 - 12
Vihannekset	8 - 10
Ruoantähteet ilman lihaa	1 - 2
Maitotuotteet:	
Voi	6 - 9
Pehmeä juusto (esim. mozzarella)	3 - 4
Kova juusto (esim. parmesaani, cheddar)	6
Merenherkut:	
Rasvainen kala (esim. lohi, makrilli)	2 - 3
Vähärasvainen kala (esim. turska, kampela)	4 - 6
Katkaravut	12
Simpukat ilman kuoria	3 - 4
Keitetty kala	1 - 2
Liha:	

Ruokalaji	Säilytysaika (kuukautta)
Lintupaisti	9 - 12
Naudanliha	6 - 12
Porsaanliha	4 - 6
Lammas	6 - 9
Makkarat	1 - 2
Kinkku	1 - 2
Ruoantähteet lihalla	2 - 3

7. HOITO JA PUHDISTUS



VAROITUS!

Lue turvallisuutta koskevat luvut.

7.1 Yleiset varoitukset



HUOMIO!

Kytke laite irti verkkovirrasta ennen minkäänlaisten puhdistustoimenpiteiden suorittamista.



Laitteen jäähdytysyksikkö sisältää hiilivetyä. Jäähdytysyksikön huollon ja täytön saa suorittaa ainoastaan valtuutettu huoltomekaanikko.



Jääkaapin varusteita ja osia ei saa pestä astianpesukoneessa.

7.2 Sisätilan puhdistaminen

Ennen kuin otat laitteen käyttöön, pese sisäosat ja kaikki kaapin sisälle sijoitettavat varusteet haalealla vedellä ja miedolla pesuaineella poistaaksesi uudelle laitteelle tyypillisen hajun. Kuivaa pinnat ja varusteet lopuksi huolellisesti.



HUOMIO!

Älä käytä puhdistusaineita, hankaavia jauheita, klooria tai öljypohjaisia puhdistusaineita, sillä ne vahingoittavat pintoja.

7.3 Säännöllinen puhdistus

Laite on puhdistettava säännöllisesti:

1. Puhdista sisäosa ja varusteet lämpimällä vedellä ja käsitiskiaineella.
2. Tarkista oven tiivisteet säännöllisesti ja pyyhi ne puhtaaksi.
3. Huuhtele ja kuivaa huolellisesti.

7.4 Laitteen sulattaminen



HUOMIO!

Älä koskaan käytä teräviä metalliesineitä huurteen poistamisessa höyrystimestä, sillä se voi vahingoittaa. Älä yritä nopeuttaa sulatusta mekaanisilla tai muilla välineillä, joita valmistaja ei ole neuvonut käyttämään.



Aseta alhaisempi lämpötila noin 12 tuntia ennen sulatuksen aloittamista, jotta pakasteet jäätyvät mahdollisimman kylmiksi ja varaavat näin itseensä kylmää sulatustoimenpiteen ajaksi.

Sulata pakastinosasto, kun huurrekerroksen paksuus on noin 3-5 mm.

Pakastinosaston sulattaminen:

1. Kytke laite pois toiminnasta tai irrota pistoke pistorasiasta.
2. Poista pakastimesta kaikki elintarvikkeet, kääri ne paksult!

sanomalehteen ja laita viileään paikkaan.



HUOMIO!

Pakasteiden lämpötilan nouseminen sulatuksen aikana voi lyhentää niiden turvallista säilytysaikaa. Älä koske pakasteisiin märin käsin. Kädet voivat jäätyä kiinni ruokaan.

3. Poista jääkuutioastia.
4. Jätä ovi auki. Suojaa lattia valuvalla vedeltä (esim. pyyhkeellä tai matalalla astialla).
5. Voit nopeuttaa sulatusta laittamalla lämmintä vettä sisältävän astian pakastimen sisään. Poista myös sulatuksen aikana irtoilevat jääpalat pakastimen sisältä.
6. Kun pakastin on sulatettu, kuivaa sisäpinnat hyvin.

7. Kytke virta laitteeseen ja sulje ovi.
8. Aseta lämpötilan säädin maksimijäähdytyksen asentoon ja anna laitteen käydä kolme tuntia tällä asetuksella.

Aseta elintarvikkeet vasta tämän jälkeen takaisin pakastimeen.

7.5 Jos laitetta ei käytetä pitkään aikaan

Jos laitetta ei ole tarkoitus käyttää pitkään aikaan, suorita seuraavat toimenpiteet:

1. Kytke laite irti verkkovirrasta.
2. Ota kaikki ruoat pois.
3. Sulata (jos tarpeen) ja puhdista laite sekä kaikki sen varusteet.
4. Jätä ovi/ovet raolleen, jotta laitteen sisälle ei muodostu epämiellyttävää hajua.

8. VIANMÄÄRITYS



VAROITUS!

Lue turvallisuutta koskevat luvut.

8.1 Käyttöhäiriöt

Ongelma	Mahdollinen syy	Ratkaisu
Laite ei toimi lainkaan.	Virta on katkaistu laitteesta.	Kytke laitteeseen virta.
	Pistoke ei ole kunnolla kiinni pistorasiassa.	Kiinnitä pistoke oikein pistorasiaan.
	Pistorasiaan ei tule jännitettä.	Kokeile kytkemällä pistorasiaan jokin toinen sähkölaite. Ota yhteys sähköasentajaan.
Laitteen käyntiääni on kova.	Laitetta ei ole tuettu kunnolla paikalleen.	Tarkista, onko laite vakaa.
Kompressori käy jatkuvasti.	Lämpötila on asetettu virheellisesti.	Lue ohjeet Käyttö-luvusta.
	Laitteeseen on pantu monia elintarvikkeita samanaikaisesti.	Odota muutama tunti ja tarkista lämpötila uudelleen.

Ongelma	Mahdollinen syy	Ratkaisu
	Huoneen lämpötila on liian korkea.	Lue ohjeet "Asennus"-luvusta.
	Ruoka on pantu kodinkoneeseen liian lämpimänä.	Anna ruoan jäähtyä huoneen lämpötilaan ennen pakastamista.
	Ovi ei ole kunnolla kiinni.	Lue ohjeet kohdasta "Oven sulkeminen".
Ovi on kohdistettu virheellisesti tai se on ilmanvaihtosäleikön tiellä.	Laite ei ole oikein tasapainotettu.	Lue asennusohjeet.
Ovi ei avaudu helposti.	Yritit avata oven välittömästi sen sulkemisen jälkeen.	Odota muutama sekunti oven sulkemisen jälkeen ennen kuin avaat oven uudelleen.
Laitteessa on liikaa huurretta ja jäätä.	Ovi ei ole kunnolla kiinni.	Lue ohjeet kohdasta "Oven sulkeminen".
	Tiiviste on vioittunut tai liikainen.	Lue ohjeet kohdasta "Oven sulkeminen".
	Elintarvikkeita ei ole pakattu kunnolla.	Pakkaa ruoat oikein.
	Lämpötila on asetettu virheellisesti.	Lue ohjeet Käyttö-luvusta.
	Laite on täytetty täyteen ja siihen on asetettu alhaisin lämpötila.	Säädä lämpötila korkeammaksi. Lue ohjeet Käyttö-luvusta.
	Laitteen lämpötila-asetus on liian matala ja ympäristölämpötila liian korkea.	Säädä lämpötila korkeammaksi. Lue ohjeet Käyttö-luvusta.
Vettä valuu jääkaapin sisälle.	Elintarvikkeet estävät veden valumisen vedenkeruukaukaloon.	Tarkista, että elintarvikkeet eivät kosketa takaseinään.
	Veden tyhjennysaukko on tukossa.	Puhdista veden tyhjennysaukko.
Vettä valuu lattialle.	Sulatusvesiaukkoa ei ole liitetty kompressorin yläpuolella olevaan haihdutusastiaan.	Kiinnitä sulatusveden poistoputki haihdutusastiaan.
Laitteen lämpötila on liian alhainen tai korkea.	Lämpötilaa ei ole säädetty oikein.	Säädä lämpötila korkeammaksi/alhaisemmaksi.
	Ovi ei ole kunnolla kiinni.	Lue ohjeet kohdasta "Oven sulkeminen".

Ongelma	Mahdollinen syy	Ratkaisu
	Ruoat ovat liian lämpimiä.	Anna ruokien lämpötilan laskea huoneen lämpötilaan ennen kuin laitat ruoat laitteeseen.
	Laitteeseen on lisätty paljon ruokia samalla kertaa.	Aseta laitteeseen vähemmän ruokia yhdellä kertaa.
	Huurrekerroksen paksuus on yli 4-5 mm.	Sulata laite.
	Ovea on avattu liian usein.	Avaa ovi vain tarvittaessa.
	Laitteen kylmän ilman kiertäminen ei toimi.	Tarkista kylmän ilman kiertäminen. Lue ohjeet kohdasta "Neuvoja ja vinkkejä".



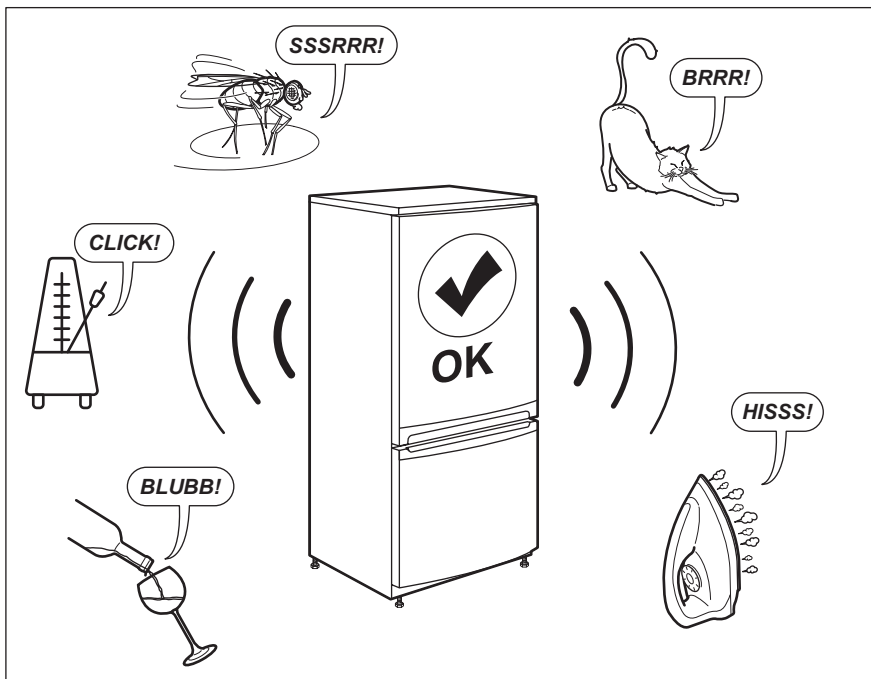
Jos ongelmaa ei ratkaista ohjeiden avulla, ota yhteyttä puhelimitse paikalliseen valtuutettuun huoltoliikkeeseen.

2. Säädä ovea tarvittaessa. Lue ohjeet "Asennus"-luvusta.
3. Vaihda tarvittaessa vaurioituneet oven tiivisteet. Ota yhteyttä valtuutettuun huoltoliikkeeseen.

8.2 Oven sulkeminen

1. Puhdista oven tiivisteet.

9. ÄÄNET



10. TEKNISET TIEDOT

Tekniset tiedot on merkitty laitteen sisäpuolelle kiinnitettyyn arvokilpeen ja energiatarraan.

Laitteen mukana toimitetun energialuokkamerkinnän QR-koodi sisältää linkin verkkosivustolle, jossa on EU EPREL -tietokannassa olevat laitteen suorituskykytiedot. Säilytä energialuokkamerkintää yhdessä käyttöohjeen ja kaikkien muiden tämän laitteen mukana toimitettujen asiakirjojen kanssa.

Joitakin tietoja on saatavilla myös EPREL:issä käyttämällä linkkiä <https://eprel.ec.europa.eu> sekä laitteen arvokilpeen merkittyä mallin nimeä ja tuotenumeroa.

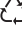

Lisätietoa energialuokkamerkinnästä on saatavilla osoitteesta www.theenergylabel.eu.

11. TIETOJA TESTILAITOKSELLE

Laitteen asennus- ja valmistelutoimet EcoDesign-tarkistusta varten tulee suorittaa standardin EN 62552 mukaisesti. Noudatettavat ilmanvaihtovaatimukset, asennuspaikan

mitat sekä takaosan vähimmäisetäisyydet on annettu tämän ohjekirjan luvussa 3. Valmistajalta on saatavilla lisätietoa sekä kuljetusohjeet.

12. YMPÄRISTÖNSUOJELU

Kierrätä materiaalit, jotka on merkitty merkillä . Kierrätä pakkaus laittamalla se asianmukaiseen kierrätysastiaan. Suojele ympäristöä ja ihmisten terveyttä kierrättämällä sähkö- ja elektroniikkaromut. Älä hävitä merkillä 

merkittyjä kodinkoneita kotitalousjätteen mukana. Palauta tuote paikalliseen kierrätyskeskukseen tai ota yhteyttä paikalliseen viranomaiseen.

INNHOOLD

1. SIKKERHETSINFORMASJON.....	51
2. SIKKERHETSANVISNINGER.....	53
3. MONTERING.....	55
4. BRUK.....	59
5. DAGLIG BRUK.....	59
6. RÅD OG TIPS.....	60
7. STELL OG RENGJØRING.....	61
8. FEILSØKING.....	63
9. STØY.....	65
10. TEKNISKE DATA.....	65
11. INFORMASJON FOR TESTINSTITUTTER.....	65

VI TENKER PÅ DEG

Takk for at du har kjøpt et produkt fra Electrolux. Du har valgt et produkt som bringer flere tiår med erfaring og innovasjon med seg. Genial og stilig, og den er designet med tanke på deg. Du kan være trygg på at du får gode resultater hver gang du bruker den.

Velkommen til Electrolux.

Gå inn på nettsiden vår for å:



Få råd om bruk, brosjyrer, løse problemer, service- og reparasjonsinformasjon:

www.electrolux.com/support



Registrer produktet for bedre service:

www.registerelectrolux.com



Kjøp tilbehør, forbruksvarer og originale reservedeler til produktet ditt:


www.electrolux.com/shop

KUNDESTØTTE OG SERVICE

Bruk alltid originale reservedeler.

Når du kontakter vår autoriserte serviceavdeling, må du sørge for å ha følgende data for hånden: Modell, PNC (produktnummer), serienummer.

Informasjonen finner du på typeskiltet.

 Advarsel/Forsiktig – Sikkerhetsinformasjon

 Generell informasjon og tips

 Miljøinformasjon

Med forbehold om endringer.

1. SIKKERHETSINFORMASJON

Les medfølgende instruksjoner grundig før du installerer og bruker apparatet. Produsenten er ikke ansvarlig for personskader eller andre skader som følger av feilaktig

montering eller bruk. Hold alltid instruksjonene på et trygt og tilgjengelig sted for fremtidig referanse.

1.1 Sikkerhet for barn og utsatte personer

- Dette produktet kan brukes av barn fra 8 år og oppover og personer med reduserte fysiske, sensoriske eller mentale evner eller manglende erfaring og kunnskap hvis de har tilsyn eller får instruksjon i sikker bruk av produktet og forstår hvilke farer som kan inntreffe.
- Barn i alderen 3 til 8 år har lov til å sette inn og ta ut varer i/fra produktet forutsatt at de har fått de riktige instruksjonene.
- Dette produktet kan brukes av personer med svært omfattende og komplekse funksjonshemminger, forutsatt at de har fått de riktige instruksjonene.
- Barn yngre enn 3 år må holdes på avstand fra produktet hvis de ikke er under tilsyn hele tiden.
- Ikke la barn leke med produktet.
- Rengjøring og vedlikehold av produktet skal ikke utføres av barn med mindre de er under tilsyn.
- Oppbevar all emballasje utilgjengelig for barn, og kast den i samsvar med lokale reguleringer.

1.2 Generell sikkerhet

- Dette produktet er ment å brukes i husholdninger og lignende steder som:
 - Gårdshus; personalkjøkken i butikker, på kontorer og andre arbeidsmiljøer;
 - Av gjester på hoteller, moteller, pensjonater og andre boligtyper.
- Følg disse instruksjonene for å unngå forurensing av mat:
 - ikke åpne døren i lengre perioder;
 - rengjør regelmessig tilgjengelige dreneringssystemer og overflater som kan komme i berøring med matvarer;

- **ADVARSEL:** Hold ventilasjonsåpningene i produktets kabinett eller i den innebygde strukturen fri for hindringer.
- **ADVARSEL:** Ikke bruk mekaniske redskaper eller annet utstyr som ikke produsenten har anbefalt for å gjøre avrimingsprosessen raskere.
- **ADVARSEL:** Ikke ødelegg kjølemiddelkretsen.
- **ADVARSEL:** Ikke bruk elektriske produkter inne i skapet, hvis de ikke er av en type som anbefales av produsenten.
- Ikke bruk spylevann eller damp til å rengjøre produktet.
- Rengjør produktet med en fuktig, myk klut. Bare kun nøytrale rengjøringsmidler. Du må aldri bruke skurende oppvaskmidler, skuresvamber, løsemidler eller metallgjenstander.
- Når kjøleskapet blir stående tomt i en lengre periode, bør du slå det av, avrime det, rengjøre det, tørke det og la døren bli stående oppe slik at det ikke dannes mugg i produktet.
- Oppbevar ikke eksplosive stoffer som aerosolbeholdere med brennbart drivstoff i dette produktet.
- Hvis strømkabelen blir skadet, må den skiftes av produsenten, autorisert servicesenter eller annen kvalifisert person for å unngå risiko.

2. SIKKERHETSANVISNINGER

2.1 Installasjon



ADVARSEL!

Bare en kvalifisert person må montere dette produktet.

- Fjern all emballasje.
- Ikke monter eller bruk et skadet produkt.
- Følg installasjonsanvisningene som følger med produktet.
- Vær alltid forsiktig når du flytter produktet. Det er tungt. Bruk alltid vernebriller og lukket fottøy.
- Påse at luft kan sirkulere rundt apparatet.
- Ved første installasjon eller etter reversering av døren, vent minst 4 timer før du kobler apparatet til strømforsyningen. Dette påser at oljen renner tilbake til kompressoren.
- Før du gjør noe med apparatet (for eksempel reversering av døren), fjern støpselet fra stikkkontakten.
- Installer ikke apparatet i nærheten av radiatorer eller komfyrer, ovner eller kokeplater.
- Utsett ikke apparatet for regn.

- Plasser ikke apparatet i direkte sollys.
- Installer ikke apparatet på meget fuktige eller kalde steder.
- Når du flytter apparatet skal du løfte det i forkant for å unngå riper på gulvet.

2.2 Elektrisk tilkøpling



ADVARSEL!

Fare for brann og elektrisk støt.



ADVARSEL!

Når du plasserer produktet, må du sørge for at kabelen ikke er i klem eller skadet.



ADVARSEL!

Ikke bruk grenuttak eller skjøteledninger.

- Produktet må være jordet.
- Kontroller at parameterne på typeskiltet er kompatible med de elektriske spesifikasjonene i strømforsyningen.
- Bruk alltid en korrekt montert, jordet stikkontakt.
- Sørg for ikke å forårsake skade på elektriske komponenter (f. eks støpsel, nettkabel, kompressor). Ta kontakt med servicesenteret eller en elektriker for å endre de elektriske komponentene.
- Strømkabelen må ligge under nivået til støpselet.
- Ikke sett støpselet i stikkontakten før monteringen er fullført. Påse at det er tilgang til stikkontakten etter monteringen.
- Ikke trekk i kabelen for å koble fra produktet. Trekk alltid i selve støpselet.

2.3 Bruk



ADVARSEL!

Fare for skade, brannskader, elektrisk støt eller brann.



Apparatet inneholder brennbare gasser, isobutan (R600a), naturgass med liten innvirkning på miljøet. Vær forsiktig så du ikke forårsaker skade på

kjølemiddelkretsen som inneholder isobutan.

- Dette apparatets spesifikasjoner må ikke endres.
- Legg ikke elektriske apparater (f. eks. iskremmaskin) i apparatet med mindre slik anvendelse er oppgitt av produsenten.
- Dersom det skulle oppstå skade på kjølemiddelkretsen, må du kontrollere at det ikke er flammer og antenningskilder i rommet. Luft rommet godt.
- La ikke varme artikler komme i nærheten av plastdelene til apparatet.
- Legg ikke mineralvann i fryseren. Dette vil skape trykk i drikkebeholderen.
- Oppbevar ikke lett antennelig gasser eller væske i apparatet.
- Legg ikke brennbare produkter, eller gjenstander som er fuktet med brennbare produkter, inn i eller i nærheten av apparatet.
- Rør ikke kompressoren eller kondensatoren. De er varme.
- Berør eller ta ikke ut varer fra fryseren med våte/fuktige hender.
- Frys ikke tintet mat på nytt.
- Følg oppbevaringsinstruksjonene på emballasjen for frossen mat.
- Pakk maten i plast eller i en beholder før du setter maten i fryseskapet.

2.4 Innvendig lys



ADVARSEL!

Fare for elektrisk støt.

- Angående lampen(e) i dette produktet og reservedeler som selges separat: Disse lampene er ment å motstå ekstreme fysiske forhold i husholdningsprodukter, for eksempel temperatur, vibrasjon, fuktighet, eller er ment å signalisere informasjon om produktets driftsstatus. De er ikke ment å brukes i andre bruksområder og egner seg ikke til rombelysning.

2.5 Stell og rengjøring



ADVARSEL!

Fare for personskade eller skade på produktet.

- Slå av produktet og trekk støpselet ut av stikkontakten før rengjøring og vedlikehold.
- Dette produktet inneholder hydrokarbon i kjøleenheten. Vedlikehold og etterfylling av enheten må kun foretas av en kvalifisert person.
- Undersøk regelmessig avløpsrøret til kjøleskapet og rengjør om nødvendig. Hvis avløpet er blokkert, vil vann som har tinet samle seg i bunnen av produktet.

2.6 Service

- Kontakt det autoriserte servicesenteret for å reparere produktet. Det skal bare brukes originale reservedeler.
- Vær oppmerksom på at selvreparasjon eller ikke-profesjonell reparasjon kan ha sikkerhetsmessige konsekvenser og gjøre garantien ugyldig.
- Følgende reservedeler vil være tilgjengelige i 7 år etter at modellen er avviklet: termostater, temperatursensorer, kretskort, lyskilder, dørhåndtak, dørhengsler,

skuffer og kurver. Vær oppmerksom på at noen av disse reservedelene bare er tilgjengelige for profesjonelle reparatører, og at ikke alle reservedeler er relevante for alle modeller.

- Dørpakninger vil være tilgjengelige i 10 år etter at modellen er avviklet.

2.7 Avfallsbehandling



ADVARSEL!

Fare for skade og kvelning.

- Koble produktet fra strømmen.
- Kutt av strømkabelen og kast den.
- Fjern døren for å forhindre at barn og dyr blir stengt inne i produktet.
- Kjølemiddelkretsen og isolasjonsmaterialet til dette produktet er ozon-vennlig.
- Isolasjonsskummet inneholder brennbare gasser. Kontakt kommunen din for informasjon om hvordan du kaster produktet på en riktig måte.
- Ikke forårsak skade på den delen av kjøleenheten som er nær varmeveksleren.

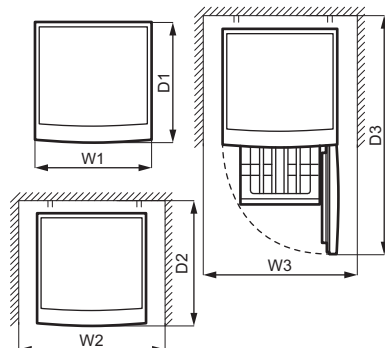
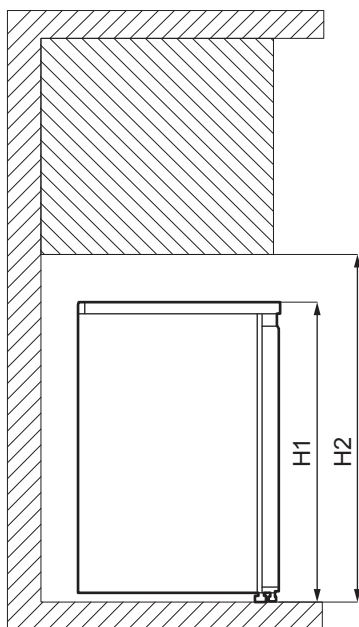
3. MONTERING



ADVARSEL!

Se etter i Sikkerhetskapitlene.

3.1 Dimensjoner



Generelle dimensjoner ¹⁾		
H1	mm	845
W1	mm	560
D1	mm	575

¹⁾ høyden, bredden og dybden på produktet uten håndtak og føtter

Plass som kreves ved bruk ¹⁾		
H2	mm	945
W2	mm	760
D2	mm	650

¹⁾ høyden, bredden og dybden på produktet inkludert håndtaket, pluss plassen som er nødvendig for fri sirkulasjon av kjøleluft

Samlet plass som kreves ved bruk ¹⁾		
H2	mm	945
W3	mm	760
D3	mm	1165


¹⁾ høyden, bredden og dybden på produktet inkludert håndtaket, pluss plassen som er nødvendig for fri sirkulasjon av kjøleluft, pluss den plassen som er nødvendig for å åpne døren til minste vinkel som gjør det mulig å fjerne alt internt utstyr

3.2 Sted

For å sikre at produktet fungerer optimalt, bør du ikke montere produktet i nærheten av varmekilder (stekeovn, komfyrer, radiatorer, komfyrer eller kokeplater) eller på et sted med direkte

sollys. Pass på at luften kan sirkulere fritt rundt baksiden av kabinetet.

For å oppnå best ytelse når produktet er plassert under et overskap, må minste avstanden mellom toppen av skapet opprettholdes. Ideelt sett bør produktet ikke plasseres under overskap. En eller flere justerbare føtter på bunnen av skapet sørger for at produktet står stabilt.

-  Det må være mulig å kople produktet fra strømforsyningen. Støpslet skal derfor alltid være lett tilgjengelig etter montering.


3.3 Posisjonering


Dette produktet er ikke ment å brukes som et innebygd produkt.

Produktet skal monteres i en tørr, godt ventilert innendørs posisjon.

Korrekt bruk av produktet kan bare garanteres innenfor det angitte temperaturområdet. Dette produktet er beregnet til bruk ved omgivelsestemperatur fra 10°C til 43°C.

Hvis, på grunn av annerledes montering, krav til tilfredsstillende ventilasjon ikke respekteres, vil produktet fungere korrekt, men energiforbruket kan øke noe.

-  Hvis du er i tvil om hvor du skal montere produktet, må du kontakte leverandøren, kundeservice eller nærmeste servicesenter.

-  Bruk avstandsstykkene som følger med eller sørg for å holde produktet utenfor minsteavstanden som er indikert i avsnittet "Dimensjoner" hvis du monterer det inntil veggen.



FORSIKTIG!

Hvis du installerer produktet ved siden av en vegg, må du se avsnittet "Dimensjoner" for å forstå minimumsavstanden mellom veggen og den siden av produktet hvor dørhengslene behøver nok plass til å åpne døren når det interne utstyret er tatt ut (f.eks. under rengjøring).

3.4 Elektrisk tilkoping

- Før du setter støpselet inn i stikkkontakten, forsikre deg om at spenningen og frekvensen som er oppført på typeskiltet samsvarer med strømmettet i hjemmet ditt.
- Produktet må være jordet. Støpselet på strømledningen er utstyrt med jordingskontakt. Dersom husets stikkontakt ikke er jordet, skal produktet koples til en separat jording i overensstemmelse med gjeldende forskrifter. Kontakt en faglært elektriker.
- Produsenten fraskriver seg ethvert ansvar dersom sikkerhetsreglene ikke blir fulgt.
- Dette produktet er i overensstemmelse med EØS-direktivene.

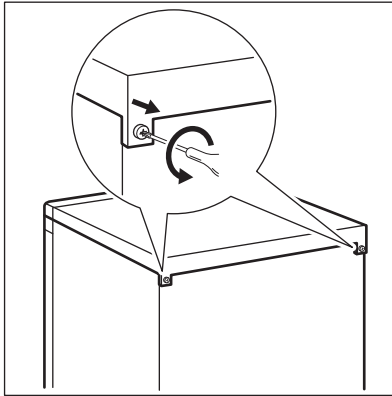
3.5 Omhengsling av døren



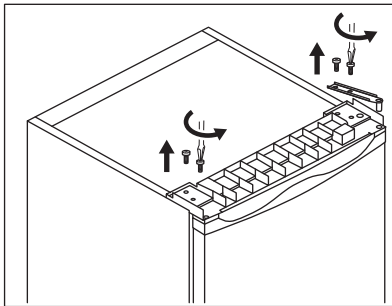
ADVARSEL!

Før du begynner ethvert arbeid, må du trekke støpselet ut av stikkkontakten.

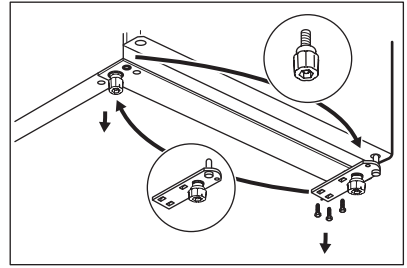
1. Påse at produktet står oppreist.
2. Åpne døren og ta ut dørutstyret. Se etter i kapitlet "Daglig bruk". Lukk døren.
3. Skru ut skruene på baksiden av toppdekslet.



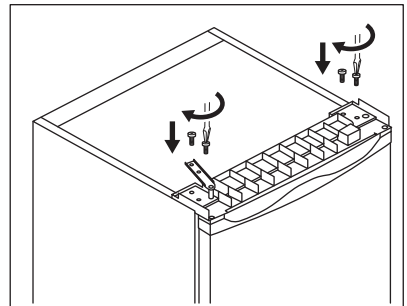
4. Løft toppdekslet og legg det på en myk overflate.
5. Skru ut de fire skruene.



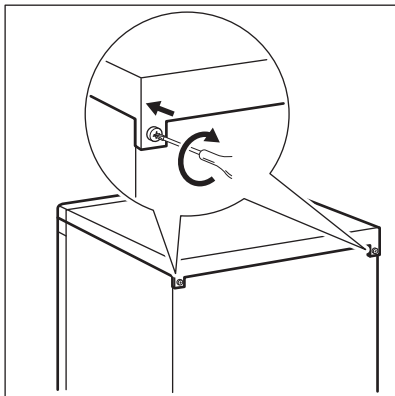
6. Løft det øvre hengselet og plasser det på et trygt sted sammen med skruene.
7. Løft døren og sett den på et mykt underlag.
8. Vipp produktet forsiktig på en myk skumemballasje eller lignende materiale for å unngå skade på baksiden av produktet og gulvet.
9. Skru ut skruene på det nederste hengselet og de justerbare føttene.
10. Monter pinnen i motsatt hull på hengselen.



11. Skru det nedre hengselet på motsatt side på produktet.
12. Monter gummistøtten på siden uten hengsler.
13. Monter døren på den nedre hengselen, og pass på at hengselpinnen kommer inn i dørens bunnhull.
14. Installer den øvre hengselen på motsatt side av produktet. Sett den øvre hengselpinnen inn i dørens øvre hull. Stram skruene.



15. Skru de resterende 2 skruene fast på oversiden av produktet uten hengsel.
16. Plasser toppdekslet på produktet og stram skruene på baksiden.



Installer dørutstyret.

Vent minst 4 timer før du kobler produktet til strømforsyningen.

4. BRUK

4.1 Slik slår du på produktet

Sett støpselet inn i strømuttaket.

4.2 Slå av

Trekk støpselet ut av stikkontakten for å slå av produktet.

4.3 Temperaturregulering

Temperaturen reguleres automatisk. Imidlertid kan du stille temperaturen i produktet på egen hånd.

Velger innstilling mens du husker at temperaturen inne i produktet avhenger av følgende når du velger innstilling:

- romtemperatur,
- hvor ofte døren åpnes,
- mengde mat som oppbevares,
- produktets plassering.

Vanligvis er en middels innstilling best egnet.

5. DAGLIG BRUK



ADVARSEL!

Se etter i Sikkerhetskapitlene.

5.1 Frysing av fersk mat

Fryserommet passer for frysing av fersk mat, og lagring av frossen og dyp-frossen mat over lengre tid.

Oppbevar den ferske maten jevnt fordelt i det første og andre rommet eller skuffen fra toppen.

Maksimal mengde mat som kan fryses uten å legge til annen fersk mat i løpet av 24 timer, er spesifisert på typeskiltet (en etikett som sitter inne i produktet).

5.2 Oppbevaring av frosne matvarer

Når du slår på produktet for første gang eller etter en periode der den ikke var i bruk, må du la den stå på i minst 3 timer.

Fryseskuffene sikrer at du enkelt og raskt finner det du leter etter. Skal du oppbevare store mengder mat, kan du ta ut alle skuffene bortsett fra den nederste skuffen, som må være på plass for å gi god luftsirkulasjon.

Oppbevar maten minst 15 mm fra døren.

**FORSIKTIG!**

Dersom det oppstår utilsiktet tining, f.eks. på grunn av strømbrydd, og hvis strømmen er borte lenger enn den verdien som er oppført på typeskiltet under «stigetid», må den tinte maten brukes opp så raskt som mulig eller tilberedes øyeblikkelig og så frys på nytt.

5.3 Tining

Dypprosne eller frosne matvarer kan tines i kjøleskapet eller ved romtemperatur før

6. RÅD OG TIPS**6.1 Tips for strøm sparing**

- Produktets interne konfigurasjon er den som sikrer mest mulig effektiv energibruk.
- Døren må ikke åpnes for ofte og må ikke stå åpen lengre enn nødvendig.
- Jo kaldere temperaturinnstilling, jo høyere energiforbruk.
- Sørg for god ventilasjon. Ikke dekk ventilasjonsristene eller -hullene.

6.2 Tips til frysing

- Før du fryser, må du pakke inn og forsegle fersk mat i: aluminiumsfolie, plastfilm eller poser, lufttette beholdere med lokk.
- For mer effektiv frysing og tining, kan du dele mat i små porsjoner.
- Det anbefales å sette etiketter og datoer på all den frosne maten. Dette vil gjøre det lettere å identifisere matvarer og til å vite når de skal brukes før de forderver.
- Maten skal være fersk når den fryses for å bevare god kvalitet. Særlig frukt og grønnsaker bør fryses etter høsting for å bevare alle næringsstoffene deres.
- Frys ikke flasker eller bokser med væsker, spesielt drikke som inneholder karbondioksid – de kan eksplodere under frysing.

de skal brukes i forhold til hvor mye tid du har til rådighet.

Små stykker kan også tilberedes mens de ennå er frosne, direkte fra fryseren: I så fall tar tilberedningen lengre tid.

5.4 Isbitbrett

Dette produktet er utstyrt med en eller flere brett for produksjon av isterninger.



Bruk ikke gjenstander av metall for å fjerne brettene fra fryseren.

1. Fyll isbitbrettene med vann
2. Plasser dem i fryserrommet.

- Ikke sett varm mat inn i fryserrommet. Avkjøl den ved romtemperatur før du legger den inn i rommet.
- For å unngå temperaturøkning for allerede fryst mat må du ikke plassere fersk ufryst mat direkte ved siden av den. Plasser mat ved romtemperatur i den rommet av fryserrommet der det ikke er frossen mat.
- Ikke spis isterninger, vannis eller iskrem like etter at du har tatt dem ut av fryseren. Risiko for frostbitt.
- Ikke frys ting mat. Hvis maten er tint, koker, avkjøler og fryser du den.

6.3 Tips til oppbevaring av frosne matvarer

- Middels temperaturinnstilling temperatur sikrer god konservering av frosne matvarer. Høyere temperaturinnstilling inne i produktet kan føre til kortere holdbarhet.
- Hele fryserrommet er egnet for lagring av frosne matvarer.
- La det være nok plass rundt maten slik at luften kan sirkulere fritt.
- For tilstrekkelig oppbevaring se etiketten med matens holdbarhet på matemballasjen.
- Det er viktig å pakke inn maten slik måte at vann, fuktighet eller kondens ikke kommer inn.

6.4 Handletips

Etter dagligvarehandel:

- Forsikre deg om at emballasjen ikke er skadet – maten kan bli fordervet. Hvis pakningen er hoven eller våt, kan det hende at den ikke har blitt lagret under optimale forhold, og tiningen kan allerede ha startet.
- For å begrense tineprosessen, kjøp frosne varer på slutten av

dagligvarehandelen og transporter dem i en termisk og isolert kjølebagg.

- Plasser den frosne maten umiddelbart i fryseren etter at du kom tilbake fra butikken.
- Hvis maten har blitt tint i noen grad, må du ikke fryse den på nytt. Spis den så snart som mulig.
- Respekter utløpsdatoen og lagringsinformasjonen på pakken.

6.5 Holdbarhetstid

Matvaretype	Holdbarhet (måneder)
Brød	3
Frukt (unntatt sitrus)	6 - 12
Grønnsaker	8 - 10
Rester uten kjøtt	1 - 2
Meierimat:	
Smør	6 - 9
Bløtost (f.eks. mozzarella)	3 - 4
Hard ost (f.eks. parmesan, cheddar)	6
Sjømat:	
Fet fisk (f.eks. laks, makrell)	2 - 3
Mager fisk (f.eks. torsk, flyndre)	4 - 6
Reker	12
Muslinger og blåmuslinger uten skall	3 - 4
Kokt fisk	1 - 2
Kjøtt:	
Fjærfe	9 - 12
Storfekjøtt	6 - 12
Svinekjøtt	4 - 6
Lammekjøtt	6 - 9
Pølse	1 - 2
Skinke	1 - 2
Rester med kjøtt	2 - 3

7. STELL OG RENGJØRING



ADVARSEL!

Se etter i Sikkerhetskapitlene.

7.1 Generelle advarsler



FORSIKTIG!

Trekk støpselet ut av stikkontakten før du foretar enhver rengjøring av skapet.



Dette produktet inneholder hydrokarboner i kjølekretsen. Vedlikehold må derfor bare utføres av autoriserte serviceteknikere.



Tilbehøret og delene til produktet er ikke egnet for vask i oppvaskmaskin.

7.2 Rengjøre inne i ovnen

Før du tar produktet i bruk, må du vaske innsiden samt alt utstyr i lunkent vann tilsatt et nøytralt rengjøringsmiddel, for å fjerne den typiske lukten som sitter i flunkende nye produkter. Husk å tørke nøye.



FORSIKTIG!

Ikke bruk kraftige vaskemidler eller skurepulver, klor eller oljebasert vaskemiddel, da dette vil skade finishen.

7.3 Regelmessig rengjøring

Utstyret skal rengjøres regelmessig:

1. Rengjør innsiden og tilbehøret med lunkent vann tilsatt litt nøytral såpe.
2. Kontroller dørpakingene regelmessig og vask dem for å sikre at de er rene og fri for matrester.
3. Skyll og tørk grundig.

7.4 Avtining av maskinen



FORSIKTIG!

Ikke bruk skarpe metallredskaper til å skrape rim av fordampneren, da det kan skade den. Bruk ikke redskaper eller utstyr som ikke er anbefalt av produsenten for å gjøre avrimingsprosessen raskere.



Ca. 12 timer før avriming stiller du inn en lavere temperatur for å bygge opp tilstrekkelig kjølereserve i tilfelle driftsbrudd.

Avrim fryserrommet når laget av rim har blitt ca. 3-5 mm tykt.

Slik tiner du fryserrommet:

1. Skru ut produktet og trekk støpselet ut av stikkkontakten.
2. Ta ut alle matvarene, pakk dem godt inn i flere lag avisepapir og legg dem på et kaldt sted.



FORSIKTIG!

En temperaturstigning i pakkene med frossen mat under tining kan redusere matens holdbarhetstid. Ikke berør frosne matvarer med våte hender. Det kan gi frostskafer.

3. Ta ut isbrettet.
 4. La døren stå åpen. Beskytt gulvet mot avrimingsvannet f.eks. med en klut eller et flatt kar.
 5. Sett en bolle med varmt vann inn i fryseren for å få avrimingsprosessen til å gå raskere. Fjern også stykker av is som løsner før avrimingen er ferdig.
 6. Tørk innsiden av skapet grundig når avrimingen er ferdig.
 7. Slå på produktet og lukk døren.
 8. Still termostatbryteren på maksimal kjøling, og la produktet gå i tre timer med denne innstillingen.
- Vent til denne tiden er forbi før du legger maten tilbake i fryseren.

7.5 Perioder uten bruk

Hvis produktet ikke skal brukes over lengre tid tas følgende forholdsregler:

1. Trekk støpselet til produktet ut av stikkkontakten.
2. Fjern alle matvarer.
3. Tine (ved behov) og rengjør produktet og alt tilbehøret.
4. La døren(e) stå åpne for å hindre ubehagelig lukt.

8. FEILSØKING



ADVARSEL!

Se etter i
Sikkerhetskapitlene.

8.1 Hva må gjøres, hvis ...

Problem	Mulig årsak	Løsning
Produktet fungerer ikke.	Produktet er slått av.	Slå på produktet.
	Støpselet sitter ikke ordentlig i stikkontakten.	Sett støpselet ordentlig inn i stikkontakten.
	Stikkontakten er ikke spenningsførende.	Koble et annet elektrisk produkt til stikkontakten. Kontakt en kvalifisert elektriker.
Produktet er støyintensivt.	Produktet står ikke stødig.	Kontroller at produktet står stabilt.
Kompressoren arbeider uavbrutt.	Temperaturen er innstilt feil.	Se kapittelet "Bruk".
	Mye mat ble lagt i fryseren på en gang.	Vent noen timer og kontroller temperaturen igjen.
	Romtemperaturen er for høy.	Se "Montering"-kapittelet.
	Matproduktene som ble lagt ned i produktet var for varm.	La matprodukter avkjøle seg til romtemperatur før du legger den i fryseren.
	Døren er ikke ordentlig lukket.	Se avsnittet "Lukke døren".
Døren er ikke skikkelig justert eller berører ventilasjonsgrillen.	Produktet står ikke plant.	Se monteringsinstruksjoner.
Vanskelig å åpne døren.	Du prøvde å åpne døren igjen med en gang etter den ble lukket.	Vent noen sekunder før du åpner døren på nytt.
Det er for mye rim og is.	Døren er ikke ordentlig lukket.	Se avsnittet "Lukke døren".
	Pakningen er deformert eller skitten.	Se avsnittet "Lukke døren".
	Matvarene er ikke pakket skikkelig inn.	Pakk maten bedre inn.
	Temperaturen er innstilt feil.	Se kapittelet "Bruk".

Problem	Mulig årsak	Løsning
	Produktet er fullt og er satt til laveste temperatur.	Still inn på en høyere temperatur. Se kapittelet "Bruk".
	Temperaturen i produktet er for lav og omgivelsestemperaturen er for høy.	Still inn på en høyere temperatur. Se kapittelet "Bruk".
Det renner vann inne i kjøleskapet.	Matprodukter forhindrer at vannet renner inn i vannopsamlingsbeholderen.	Pass på at ingen matvarer berører bakveggen.
	Vannavløpet er tilstoppet.	Rengjør vannavløpet.
Det renner vann på gulvet.	Smeltevannets utløp er ikke koblet til fordamperbrettet over kompressoren.	Fest smeltevannsrøret til fordamperbrettet.
Temperaturen i produktet er for høy/lav.	Temperaturen er ikke riktig innstilt.	Still inn en lavere/høyere temperatur.
	Døren er ikke ordentlig lukket.	Se avsnittet "Lukke døren".
	Matvarene har for høy temperatur.	La matvarene avkjøle seg til romtemperatur før du legger til oppbevaring.
	Mange matvarer er lagt inn i produktet samtidig.	Legg færre matvarer inn i produktet på samme tid.
	Tykkelsen til frosten er større enn 4–5 mm.	Avrim produktet.
	Døren har vært åpnet for ofte.	Åpne døren bare hvis det er nødvendig.
	Det sirkulerer ikke kald luft i produktet.	Påse at kald luft sirkulerer i produktet. Se etter i kapittelet "Råd og tips".



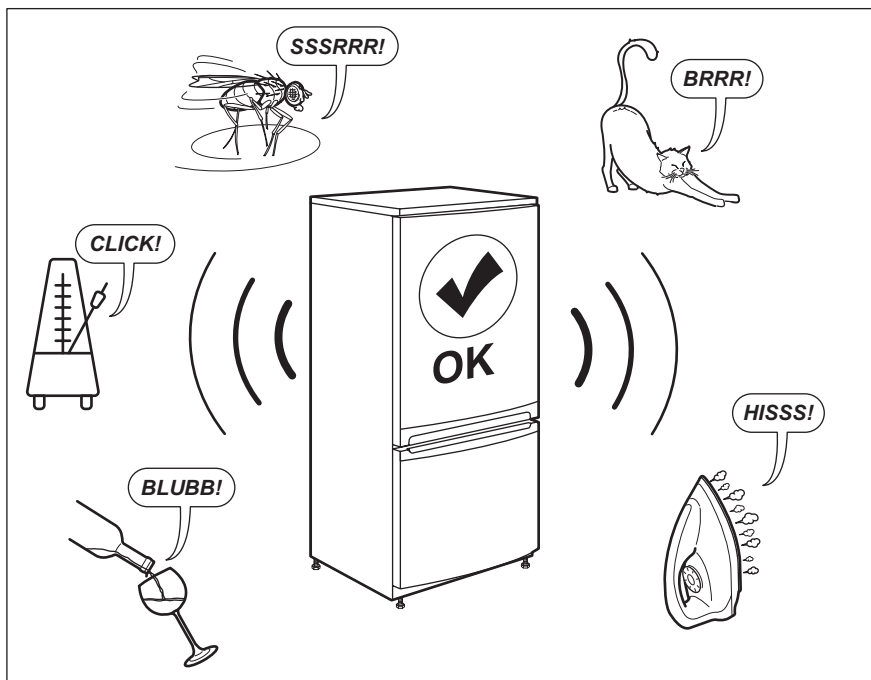
Dersom rådet ikke gir det ønskede resultatet, ta kontakt med nærmeste autoriserte serviceverksted.

2. Juster døren, om nødvendig. Se "Montering"-kapittelet.
3. Bytt defekte dørpakninger, om nødvendig. Kontakt det autoriserte servicesenteret.

8.2 Lukke døren

1. Rengjør dørpakninger.

9. STØY



10. TEKNISKE DATA

Tekniske data finner du på typeskiltet til høyre utvendig på produktet, på den innvendige siden av produktet og på energietiketten.

QR-koden på energietiketten som fulgte med produktet, gir en nettløse til informasjonen som er relatert til tilsyn av dette produktet i EU EPREL-databasen. Oppbevar energietiketten kun for henvisning med denne brukerhåndboken samt alle andre

dokumenter som fulgte med dette produktet.

Det er også mulig å finne den samme informasjonen i EPREL med koblingen <https://eprel.ec.europa.eu> og modellnavnet, samt produktnummeret som du finner på merkeskiltet til produktet.

Se koblingen www.theenergylabel.eu for detaljert informasjon om energietiketten.


11. INFORMASJON FOR TESTINSTITUTTER


Montering og forberedelse av produkt for enhver EcoDesign-kontroll skal være i samsvar med EN 62552.

Ventilasjonskrav, spordimensjoner og minste avstand bak skal være som angitt

i denne brukerhåndboken i kapittel 3. Kontakt produsenten for ytterligere informasjon, inkludert lasteplaner.

12. BESKYTTELSE AV MILJØET

Resirkuler materialer som er merket med symbolet . Legg emballasjen i riktige beholdere for å resirkulere det. Bidrar til å beskytte miljøet, menneskers helse og for å resirkulere avfall av elektriske og elektroniske produkter. Ikke kast produkter som er merket med symbolet

 sammen med husholdningsavfallet. Produktet kan leveres der hvor tilsvarende produkt selges eller på miljøstasjonen i kommunen. Kontakt kommunen for nærmere opplysninger.

INNEHÅLL

1. SÄKERHETSINFORMATION.....	67
2. SÄKERHETSINSTRUKTIONER.....	69
3. INSTALLATION.....	71
4. ANVÄNDNING.....	75
5. DAGLIG ANVÄNDNING.....	75
6. RÅD OCH TIPS.....	76
7. SKÖTSEL OCH RENGÖRING.....	77
8. FELSÖKNING.....	79
9. BULLER.....	81
10. TEKNISKA DATA.....	81
11. INFORMATION TILL PROVANSTALTER.....	82

VI TÄNKER PÅ DIG

Tack för att du väljer en Electrolux-produkt. Du har valt en produkt som grundar sig på årtionden av yrkeserfarenhet och innovation. Genial och elegant har den utformats med dig i åtanke. Så när du använder den, kan du vara trygg i vetskapen om att du får fantastiska resultat varje gång.

Välkommen till Electrolux.

Besök vår webbplats för att:



Få tips om användning, broschyrer, felsökning, service- och reparationsinformation:

www.electrolux.com/support



Registrera din produkt för bättre service:

www.registerelectrolux.com



Köpa tillbehör, förbrukningsvaror och originalreservdelar till din produkt:


www.electrolux.com/shop

KUNDTJÄNST OCH SERVICE

Vi rekommenderar att originalreservdelar används.

Ha följande uppgifter till hands när du kontaktar serviceavdelningen: Modell, PNC, serienummer.

Informationen står på märkplåten.

 Varnings-/viktig säkerhetsinformation

 Allmän information och tips

 Miljöinformation

Med reservation för ändringar.

1. SÄKERHETSINFORMATION

Läs noga de bifogade instruktionerna före installation och användning av produkten. Tillverkaren är inte ansvarig för eventuella personskador eller andra skador

som uppkommit som ett resultat av felaktig installation eller användning. Förvara alltid bruksanvisningen på en säker och tillgänglig plats för framtida bruk.

1.1 Säkerhet för barn och handikappade

- Denna produkt kan användas av barn från 8 års ålder och uppåt, och av personer med nedsatt fysisk, sensorisk eller mental förmåga, samt av personer med bristande erfarenhet och kunskap, om de övervakas eller instrueras beträffande hur produkten används på ett säkert sätt och förstår de risker som är förknippade med användningen.
- Barn i åldern 3 till 8 år får stoppa in och ta ut tvätten ur maskinen förutsatt att de har fått rätt instruktioner.
- Denna produkt kan användas av personer med mycket omfattande och komplexa funktionsnedsättningar under förutsättning att de har fått korrekta instruktioner.
- Barn under 3 år ska inte vistas i närheten av produkten utan ständig uppsikt.
- Låt inte barn leka med produkten.
- Barn får inte utföra städning och underhåll av produkten utan uppsikt.
- Håll allt förpackningsmaterial utom räckhåll för barn och kassera det på lämpligt sätt.

1.2 Allmän säkerhet

- Produkten är avsedd att användas i hushåll och liknande användningsområden som t.ex.:
 - Bondgårdar, personalkök i butiker, på kontor och andra arbetsmiljöer
 - Av gäster på hotell, motell, bed and breakfast och andra typer av boendemiljöer.
- För att undvika kontaminering av livsmedel respektera följande instruktioner:
 - låt inte dörren vara öppen längre stunder,
 - rengör regelbundet ytor som kan komma i kontakt med mat samt åtkomliga dräneringssystem,

- **WARNING:** Se till att ventilationsöppningarna inte blockeras.
- **WARNING:** Använd inga mekaniska verktyg eller andra medel för att påskynda avfrostningsprocessen utöver de som rekommenderas av tillverkaren.
- **WARNING:** Var noga med att inte skada kylkretsen.
- **WARNING:** Använd inga elektriska produkter inne i förvaringsutrymmena såvida de inte är av en typ som rekommenderas av tillverkaren.
- Spruta inte vatten eller ånga på produkten för att rengöra den.
- Rengör produkten med en fuktig, mjuk trasa. Använd bara neutrala rengöringsmedel. Använd inte produkter med slip-effekt, skursvampar, lösningsmedel eller metallföremål.
- När produkten är tom under en längre tid ska den stängas av, avfrostas, rengöras, torkas och dörren ska lämnas öppen för att förhindra att mögel utvecklas i produkten.
- Förvara inte explosiva ämnen som t.ex. sprejburkar med lättantändligt bränsle i den här produkten.
- Om nätsladden är skadad måste den bytas av tillverkaren, tillverkarens auktoriserade servicecenter eller personer med motsvarande utbildning, för att undvika fara.

2. SÄKERHETSINSTRUKTIONER

2.1 Installation



WARNING!

Endast en behörig person får installera den här produkten.

- Avlägsna allt förpackningsmaterial.
- Installera eller använd inte en skadad produkt.
- Följ installationsinstruktionerna som följer med produkten.
- Var alltid försiktig när produkten rör sig eftersom den är tung. Använd alltid skyddshandskar och täckta skor.
- Se till att luft kan cirkulera i produkten.
- Vid första installationen eller om dörren har hängts om, vänta minst 4 timmar innan du ansluter till elnätet. Detta för att oljan ska rinna tillbaka i kompressorn.
- Innan du utför något på produkten (t ex hänger om dörren), ska du dra ut kontakten ur vägguttaget.
- Installera inte produkten nära element, spisar, ugnar eller hällar.
- Produkten får inte utsättas för regn.
- Installera inte produkten där den står i direkt solljus.
- Installera inte produkten på platser som är mycket fuktiga eller kalla.

- När du flyttar produkten, lyft upp den i framkanten för att inte repa golvet.

2.2 Elektrisk anslutning



WARNING!
Risk för brand och elektriska stötar.



WARNING!
När du sätter in din produkt, se till att elsladden inte kommer under produkten eller skadas.



WARNING!
Använd inte grenuttag eller förlängningssladdar.

- Produkten måste jordas.
- Se till att de parametrarna på märkskylten överensstämmer med elnätets elektricitet.
- Använd alltid ett korrekt installerat, stötsäkert och jordat eluttag.
- Kontrollera så att du inte skadar de elektriska komponenterna (t.ex. stickkontakten, nätkabeln, kompressorn). Kontakta ett auktoriserat servicecenter eller en elektriker för att ersätta skadade komponenter.
- Nätkabeln måste vara under stickkontaktens nivå.
- Anslut stickkontakten till eluttaget först vid slutet av installationen. Kontrollera att stickkontakten är åtkomlig efter installationen.
- Dra inte i anslutningssladden för att koppla bort produkten från eluttaget. Ta alltid tag i stickkontakten.

2.3 Användning



WARNING!
Risk för skador, brännskador eller elstötar föreligger.



Produkten innehåller brandfarlig gas, isobutan (R600a), en naturgas med hög miljökompatibilitet. Var försiktig så att du inte skadar kylkretsen som innehåller isobutan.

- Ändra inte produktens specifikationer.

- Ställ inte elektriska produkter (t.ex. glassmaskiner) i produkten om inte tillverkaren uttryckligen säger att det är lämpligt.
- Om kylkretsen skadas får inga flammor eller antändningskällor finnas i rummet. Ventilera rummet.
- Låt inte varma föremål vidröra plastdelarna i produkten.
- Lägg inte in läskedrycker i frysen. Detta skapar tryck i dricksflaskan.
- Förvara inte brandfarliga gaser eller vätskor i produkten.
- Placera inga lättantändliga produkter eller föremål som är fuktiga med lättantändliga produkter i, nära eller på produkten.
- Vidrör inte kompressorn eller kondensorn. De är heta.
- Ta inte bort och vidrör inte föremål från frysdelen om händerna är våta eller fuktiga.
- Frys inte mat igen som en gång tinats.
- Följ förvaringsanvisningarna på förpackningen till den frysta maten.
- Lägg maten i påse eller förvaringsburk innan du lägger det i frysfacket.

2.4 Lampa inuti produkten



WARNING!
Risk för elektrisk stöt!

- När det gäller lampan/lamporna i denna produkt och reservlampor som säljs separat: Dessa lampor är avsedda att tåla extrema fysiska förhållanden i hushållsapparater, såsom temperatur, vibration, fuktighet eller är avsedda att signalera information om produktens driftsstatus. De är inte avsedda att användas i andra produkter eller som rumsbelysning i hemmet.

2.5 Skötsel och rengöring



WARNING!
Risk för personskadorna och skador på produkten föreligger.

- Stäng av produkten och koppla bort den från eluttaget före underhåll.

- Kylenheten i denna product innehåller kolväten Endast en behörig person får utföra underhåll och fylla kylapparaten.
- Undersök regelbundet tömningskanalen i kylan och rengör den vid behov. Om tömningskanalen täpps igen kommer avfrostat vatten att samlas på produktens botten.

2.6 Underhåll

- Kontakta en auktoriserad serviceverkstad för reparation av produkten. Använd endast originaldelar.
- Observera att självreparation eller icke-professionell reparation kan få säkerhetsmässiga konsekvenser och kan upphäva garantin.
- Följande reservdelar kommer att finnas tillgängliga i 7 år efter att modellen har slutat tillverkas: termostater, temperatursensorer, kretskort, ljuskällor, luckhandtag, luckgångjärn, brickor och korgar. Observera att vissa av dessa reservdelar endast är tillgängliga för

professionella reparatörer och att inte alla reservdelar är relevanta för alla modeller.

- Packningar till luckan kommer att finnas tillgängliga i tio år efter att modellen har slutat tillverkas.

2.7 Avfallshantering



VARNING!

Risk för kvävning eller skador.

- Koppla loss produkten från eluttaget.
- Klipp av strömkabeln och kassera den.
- Ta bort locket för att hindra att barn eller djur stängs in inuti produkten.
- Kylkretsen och isoleringsmaterialet i den här produkten är "ozonvänliga".
- Isoleringsmaterialet innehåller brandfarlig gas. Kontakta kommunen för information om hur produkten kasseras korrekt.
- Orsaka inte skada på den delen av kylanheten som är nära värmeväxlaren.

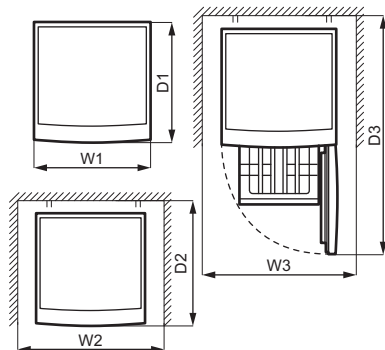
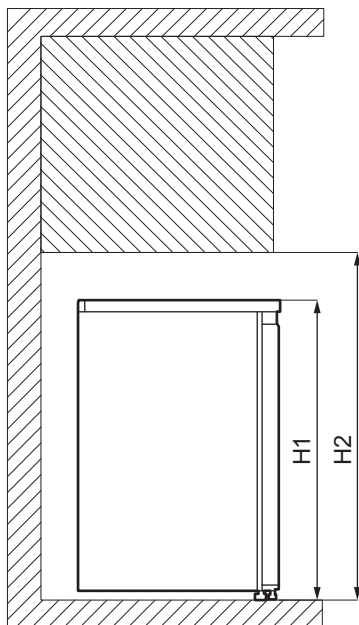
3. INSTALLATION



VARNING!

Se säkerhetsavsnitten.

3.1 Mått



Generella mått ¹⁾		
H1	mm	845
W1	mm	560
D1	mm	575

¹⁾ höjd, bredd och djup utan handtag och fötter

Utrymme som krävs vid användning ¹⁾		
H2	mm	945
W2	mm	760
D2	mm	650

¹⁾ höjd, bredd och djup inklusive handtaget, plus utrymme som krävs för fri cirkulation av kylfluten

Utrymme som krävs vid användning ¹⁾		
H2	mm	945
W3	mm	760
D3	mm	1165


¹⁾ höjd, bredd och djup inklusive handtaget, plus utrymme som krävs för fri cirkulation av kylfluten, plus det utrymme som krävs för att tillåta dörröppning till minsta vinkel som tillåter borttagning av all intern utrustning

3.2 Placering

För att säkerställa produktens bästa funktionalitet bör du inte installera den i närheten av en värmekälla (ugn, radiator, spis eller håll) eller på ett ställe med

direkt solljus. Se till att luft kan cirkulera fritt runt produktens baksida.

För att få bästa effekt om produkten placeras under en överhängande väggenhet, måste minimiavståndet mellan skåpets översida och väggenheten behållas. Produkten bör dock inte placeras under överhängande väggenheter. En eller flera justerbara fötter under skåpet ser till att det går att få maskinen i nivå.

-  Produkten måste kunna skiljas från elnätet. Stickkontakten måste därför vara lätt att komma åt efter installation.


3.3 Placering


Den här produkten är inte avsedd att användas inbyggd.

Den här produkten ska installeras i ett torrt, väl ventilerat rum inomhus.

Korrekt funktion av produkten kan endast garanteras inom angivet temperaturområde. Den här produkten är avsedd att användas vid omgivningstemperatur mellan 10°C och 43°C.

Om det på grund av olika skäl inte går att få rätt ventilation, kommer produkten att fungera korrekt men energiförbrukningen kan öka något.

-  Kontakta återförsäljaren, vår kundtjänst eller närmsta servicecenter om du är osäker på var du ska installera produkten.

-  Om produkten placeras mot en vägg ska de medföljande distanserna användas för att hålla det minimiavstånd som anges i avsnittet för "Mått".



FÖRSIKTIGHET!

Om produkten installeras intill en vägg, se avsnittet för "Mått" för att förstå hur minsta avstånd mellan väggen och den sida av produkten där gångjärnen sitter, ska ge tillräckligt utrymme för att öppna dörren när delarna inuti kylskåpet tas bort (t ex vid rengöring).

3.4 Elektrisk anslutning

- Kontrollera att nätspänningen och nätfrekvensen överensstämmer med hushållsapparaterns märkdata som anges på typskylten före anslutning till ett eluttag.
- Produkten måste jordas. Nätkabelns stickkontakt är försedd med en kontakt för detta ändamål. Om nätspänningsmatningen inte är jordad, kontakta en kvalificerad elektriker för att ansluta hushållsapparaten till en separat jord enligt gällande bestämmelser.
- Tillverkaren ansvarar inte för skador orsakade av att ovanstående säkerhetsåtgärder inte har följts.
- Denna produkt uppfyller kraven enligt EU:s direktiv.

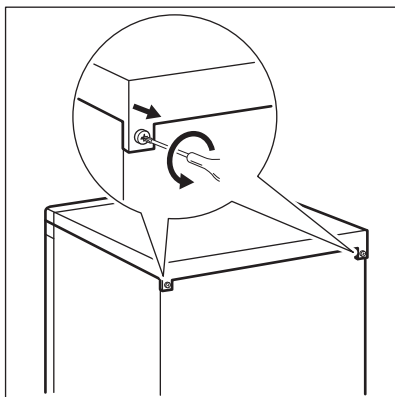
3.5 Omhängning av dörr



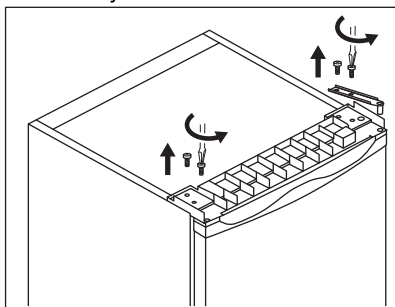
WARNING!

Dra ur stickkontakten från eluttaget innan du påbörjar arbetet.

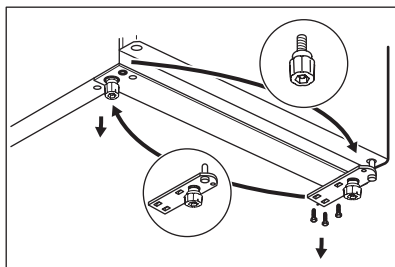
1. Se till att produkten står upprätt.
2. Öppna dörren och ta bort utrustningen i dörren. Se avsnittet "Daglig användning". Stäng dörren.
3. Skruva loss skruvarna på baksidan av toppskyddet.



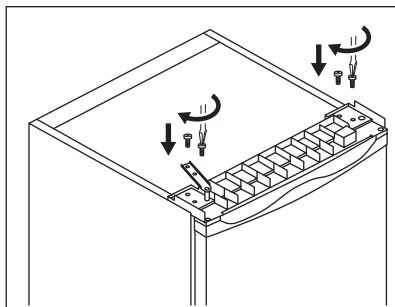
4. Lyft toppskyddet och placera det på en mjuk yta.
5. Lossa de fyra skruvarna.



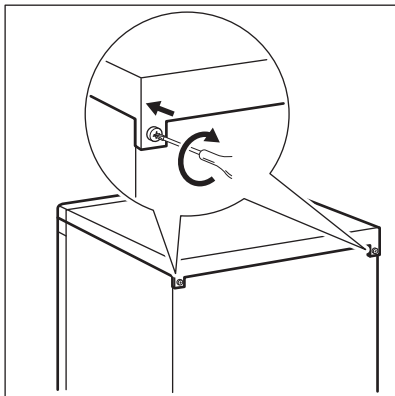
6. Lyft det övre gångjärnet och lägg det på ett säkert ställe tillsammans med skruvarna.
7. Lyft dörren och placera den på en mjuk yta.
8. Lägg försiktigt ner produkten på en mjuk skumförpackning eller liknande material för att undvika skador på baksidan av produkten och golvet.
9. Skruva loss skruvarna på det nedre gångjärnet och de justerbara fötterna.
10. Placera stiftet i det motsatta hålet på gångjärnet.



11. Skruva dit det nedre gångjärnet på produktens andra sida.
12. Installera gummistödet på sidan utan gångjärn.
13. Sätt dit dörren på det nedre gångjärnet och se till att gångjärnsstiftet kommer in i nedre dörrens hål.
14. Sätt dit det övre gångjärnet på motsatta sidan av produkten. Sätt dit det övre gångjärnsstiftet i det övre hålet. Dra åt skruvarna.



15. Skruva dit de återstående två skruvarna på produktens ovansida utan gångjärn.
16. Sätt dit toppskyddet och dra åt skruvarna på baksidan.



Sätt tillbaka utrustningen i dörren.

Vänta minst 4 timmar innan du ansluter produkten till eluttaget.

4. ANVÄNDNING

4.1 Slå på

Sätt i stickkontakten i eluttaget.

4.2 Stänga av

Stäng av produkten genom att koppla loss den från eluttaget.

4.3 Temperaturreglering

Temperaturen regleras automatiskt. Du kan ställa in en temperatur inuti produkten.

Välj inställning, men tänk på att temperaturen inne i kylan beror på:

- rumstemperatur,
- hur ofta man öppnar dörren,
- mängden livsmedel som förvaras,
- produktens placering.

En medelhög inställning är i regel lämpligast.

5. DAGLIG ANVÄNDNING



WARNING!

Se säkerhetsavsnitten.

5.1 Infrysning av färska livsmedel

Produkten är lämplig för infrysning av färska livsmedel och långvarig förvaring av frysta och djupfrysta matvaror.

Förvara den färska maten jämnt fördelad i det första och andra facket eller lådan uppfifrån.

Den största mängd mat som kan frysas in utan att lägga till mer mat inom 24 timmar anges på typskylten (en etikett som finns på insidan av produkten).

5.2 Förvaring av fryst mat

Vid första uppstart eller efter ett uppehåll i avstängt läge, låt produkten vara påslagen i minst tre timmar innan du lägger in några matvaror.

Fryslådorna gör att du snabbt och enkelt kan hitta det matpaket du söker. Om stora mängder mat skall förvaras, plocka ur alla lådor utom den nedre lådan.

Denna måste vara på plats för att säkerställa god luftcirkulation.

Maten får inte placeras närmare än 15 mm från dörren.

**FÖRSIKTIGHET!**

I händelse av en oavsiktlig avfrostning, t.ex. vid ett strömavbrott och avbrottet varar längre än den tid som anges på typskylten under "Temperaturökningstid", måste den tinade maten konsumeras snabbt eller omedelbart tillagas och sedan frysas in på nytt (när maten har kallnat).

5.3 Upptining

Djupfryst och fryst mat kan, innan den används, tinas i kylen eller vid rumstemperatur beroende på den tid som står till förfogande för upptiningen.

6. RÅD OCH TIPS**6.1 Tips för energibesparing**

- Produktens interna konfiguration är det som säkerställer en effektiv energianvändning.
- Öppna inte dörren för ofta och låt den inte stå öppen längre tid än nödvändigt.
- Ju kallare temperaturinställning, desto högre energiåtgång.
- Säkerställ god ventilation. Täck inte över ventilationsgaller eller håll.

6.2 Tips för infrysning

- Innan mat läggs in i frysen ska den packas in och förslutas i: aluminiumfolie, plastfolie eller påsar, lufttäta behållare med lock.
- Dela upp maten i mindre portioner för effektivare infrysning och upptining.
- Det är bra att sätta etiketter och datum på all fryst mat. Detta hjälper till att identifiera maten och veta när den bör ätas.
- Maten ska vara färsk när den fryses in för att bevara den goda kvaliteten. Särskilt frukt och grönsaker ska frysas efter skörd för att alla näringsämnen ska bevaras.
- Frys inte in flaskor eller burkar med vätska, särskilt inte de som innehåller kolsyra - de kan explodera i frysen.

Småbitar kan till och med tillagas direkt från frysen medan de fortfarande är frysta. Tillagningen tar i detta fall dock lite längre tid.

5.4 Isbitsbricka

Denna hushållsapparat är utrustad med en eller flera brickor för tillverkning av isbitar.



Använd inga metallinstrument för att plocka ut brickorna ur frysen.

1. Fyll isbitsbrickan med vatten
2. Sätt in dem i frysfacket.

- Ställ inte in varm mat i frysfacket. Låt varm mat svalna till rumstemperatur innan de läggs in i frysen.
- Undvik att lägga in färsk icke fryst mat bredvid redan fryst mat, eftersom den frysta maten då kan tina upp. Lägg in färsk icke fryst mat i den del av frysen där det inte finns någon fryst mat.
- Åt inte isbitar eller isglass direkt efter du har tagit ut dem ur frysen. Det finns risk för frostsador.
- Frys inte om mat som har tinat. Om maten har tinat, tillaga den, låt den svalna och frys därefter in den.

6.3 Tips för förvaring av fryst mat

- Inställningen på medeltemperatur garanterar god konservering av färsk mat. Högre temperaturinställning i produkten kan leda till kortare hållbarhet.
- Hela frysfacket är lämpligt för förvaring av frysta livsmedelsprodukter.
- Se till att det finns tillräckligt med utrymme runt maten så att luft kan cirkulera fritt.
- För korrekt förvaring, se etiketten på livsmedelsförpackningar där livsmedlets hållbarhet finns.

- Det är viktigt att förpacka maten på ett sådant sätt att vatten, fukt eller kondens inte kan komma in.

6.4 Shoppingtips

När du har handlat mat:

- Se till att förpackningen är hel - annars kan maten bli dålig. Om förpackningen har svällt eller är våt, kanske det inte har förvarats under optimala förhållanden och upptining kan ha börjat.
- För att undvika att fryst mat börjar tina ska du köpa frysta varor precis innan

du lämnar livsmedelsbutikerna och transporterar dem i en termisk och isolerad kylväska.

- Lägg omedelbart in den frysta maten i frysen när du har kommit tillbaka från butiken.
- Om maten har tinat helt eller bara lite, får den inte frysas om igen. Ät den så snart som möjligt.
- Respektera sista förbrukningsdag och förvaringsinformationen på förpackningen.

6.5 Hållbarhet

Typ av mat	Hållbarhet (månader)
Bröd	3
Frukt (ej citrus)	6 - 12
Grönsaker	8 - 10
Rester utan kött	1 - 2
Mejeriprodukter:	
Smör	6 - 9
Mjuk ost (t.ex. mozzarella)	3 - 4
Hård ost (t.ex. parmesan, cheddar)	6
Skaldjur:	
Fet fisk (t.ex. lax, makrill)	2 - 3
Mager fisk (t.ex. torsk, flundra)	4 - 6
Räkor	12
Musslor utan skal	3 - 4
Kokt fisk	1 - 2
Kött:	
Fågel	9 - 12
Nötkött	6 - 12
Fläsk	4 - 6
Lamm	6 - 9
Korv	1 - 2
Skinka	1 - 2
Rester med kött	2 - 3

7. SKÖTSEL OCH RENGÖRING



VARNING!

Se säkerhetsavsnitten.

7.1 Allmänna varningar



FÖRSIKTIGHET!

Koppla loss produkten från eluttaget innan du utför någon form av underhåll.



Kylenheten i denna produkt innehåller kolväten. Underhåll och påfyllning får därför endast utföras av en auktoriserad servicetekniker.



Tillbehören och andra delar av produkten är inte lämpliga för rengöring i diskmaskin.

7.2 Invändig rengöring

Innan du använder produkten första gången ska du rengöra insidan och alla invändiga tillbehör med ljummet vatten och en liten mängd neutral såpa för att ta bort den typiska lukten hos nya produkter. Eftertorka sedan noga.



FÖRSIKTIGHET!

Använd inte rengöringsmedel, skurpulver, klor eller oljebaserade rengöringsmedel eftersom de skadar ytan.

7.3 Regelbunden rengöring

Utrustningen måste rengöras med jämna mellanrum:

1. Rengör kylens/frysens insida och alla tillbehör med ljummet vatten och en liten mängd neutral såpa.
2. Inspektera regelbundet dörrtätningarna och torka dem rena från eventuell smuts.
3. Skölj av och torka noggrant.

7.4 Avfrostning av produkten



FÖRSIKTIGHET!

Använd aldrig vassa metallverktyg för att skrapa av frost från evaporatorn, eftersom den kan skadas. Använd inga mekaniska verktyg eller andra medel för att påskynda avfrostningsprocessen utöver de som rekommenderas av tillverkaren.



Cirka 12 timmar före avfrostningen ställer du in en lägre temperatur för att bygga upp en tillräcklig kylreserv om det skulle bli driftsavbrott.

Avfropa frysacket när frostagret när en tjocklek på cirka 3-5 mm.

Avfropa frysacket:

1. Stäng av produkten eller koppla loss den från eluttaget.
2. Plocka ut matvarorna, slå in dem i flera lager med tidningspapper och lägg dem på en sval plats.



FÖRSIKTIGHET!

Om de frysta livsmedlen inte bibehåller den låga temperaturen under avfrostningen kan det förkorta deras hållbarhetstid. Ta inte i fryst mat med våta händer. Dina händer kan frysa fast i matvarorna.

3. Ta bort isbrickan.
4. Låt frysdörren stå öppen. Skydda golvet med en trasa eller en plan bricka om avfrostningsvatten skulle rinna ut på golvet.
5. För att påskynda avfrostningsprocessen kan du placera en skål med varmt vatten i frysacket. Du kan också ta bort isbitar som lossnar innan avfrostningen är klar.
6. Torka av insidan noga när avfrostningen är klar.

7. Slå på produkten och stäng luckan.
8. Ställ in temperaturreglaget på högsta kyleffekt och låt produkten stå i tre timmar med denna inställning.
Efter den här tiden kan du lägga tillbaka maten i frysacket.
1. Koppla loss produkten från eluttaget.
2. Plocka ur alla matvaror.
3. Avfrosta (i förekommande fall) och rengör produkten och alla tillbehör.
4. Låt dörren/dörrarna stå på glänt så att inte dålig lukt bildas.

7.5 Långa uppehåll i användning

Följ nedanstående anvisningar om produkten inte skall användas på länge:

8. FELSÖKNING



WARNING!

Se säkerhetsavsnitten.

8.1 Om produkten inte fungerar ...

Problem	Möjlig orsak	Åtgärd
Produkten fungerar inte.	Produkten är avstängd.	Slå på produkten.
	Stickkontakten sitter inte ordentligt i eluttaget.	Sätt i stickkontakten ordentligt i eluttaget.
	Eluttaget är strömlöst.	Anslut en annan elektrisk produkt till eluttaget. Kontakta en behörig elektriker.
Produkten bullrar.	Produkten står ostadigt.	Kontrollera om produkten står stabil.
Kompressorn arbetar utan uppehåll.	Temperaturen är felaktigt inställd.	Se kapitlet "Drift".
	Många matvaror har lagts in samtidigt.	Vänta några timmar och kontrollera sedan temperaturen igen.
	Rumstemperaturen är för hög.	Se kapitlet "Installation".
	Alltför varm mat har lagts in.	Låt mat svalna till rumstemperatur före förvaring.
Dörren är felinriktad eller blockerar ventilationsgalleret.	Dörren är inte ordentligt stängd.	Se avsnitt "Stänga dörren".
	Produkten står inte i våg.	Se Installationsanvisningar.
Det är svårt att öppna dörren.	Du försökte öppna dörren direkt efter stängning.	Vänta några sekunder mellan stängning och återöppnande av dörren.

Problem	Möjlig orsak	Åtgärd
Det har bildats för mycket frost och is.	Dörren är inte ordentligt stängd.	Se avsnitt "Stänga dörren".
	Dörrtätningen är deformerad eller smutsig.	Se avsnitt "Stänga dörren".
	Matvaror är inte ordentligt förpackade.	Förpacka matvarorna ordentligt.
	Temperaturen är felaktigt inställd.	Se kapitlet "Drift".
	Produkten är full med livsmedel och är inställd på den lägsta temperaturen.	Ställ in en högre temperatur. Se kapitlet "Drift".
	Produktens inställda temperatur är för låg och omgivningstemperaturen är för hög.	Ställ in en högre temperatur. Se kapitlet "Drift".
Vatten rinner inne i kylskåpet.	Matvaror hindrar vattnet från att rinna in i vattenuppsamlaren.	Kontrollera att inga matvaror har kontakt med den bakre väggen.
	Vattenutloppet är igen-täppt.	Rengör vattenutloppet.
Vatten rinner ut på golvet.	Smältvattensutloppet är inte anslutet till avdunstningsbrickan ovanför kompressorn.	Anslut tömningsslangen till avdunstningsbrickan.
Temperaturen i produkten är för låg/hög.	Temperaturen är felaktigt inställd.	Ställ in en högre/lägre temperatur.
	Dörren är inte ordentligt stängd.	Se avsnitt "Stänga dörren".
	Matvarornas temperatur är för hög.	Låt matvarornas temperatur sjunka till rumstemperatur innan du lägger in dem.
	Många matvaror har lagts in för förvaring samtidigt.	Lägg in färre matvaror för förvaring samtidigt.
	Frosten är tjockare än 4-5 mm.	Avfrosta produkten.
	Dörren har öppnats för ofta.	Öppna dörren bara när det behövs.
	Kalluft cirkulerar inte i produkten.	Se till att kalluft kan cirkulera i produkten. Se kapitlet "Råd och tips".

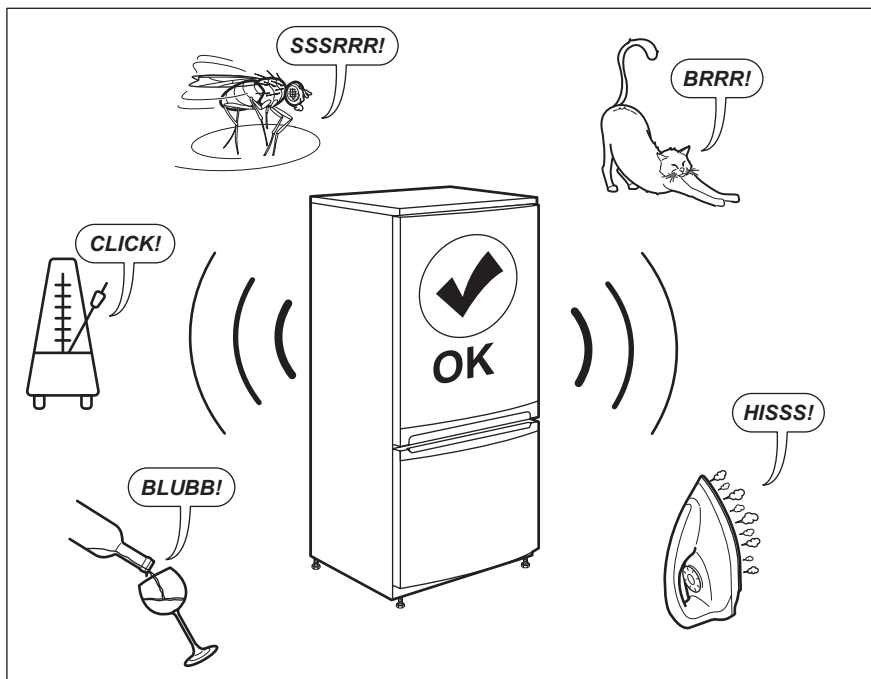
- i** Kontakta närmaste auktoriserade serviceverkstad om dessa råd inte löser problemet.

- Justera dörren vid behov. Se kapitlet "Installation".
- Byt vid behov ut defekta dörrtätningar. Kontakta auktoriserat servicecenter.

8.2 Stängning av dörren

- Rengör dörrtätningarna.

9. BULLER



10. TEKNISKA DATA

Den tekniska informationen anges på typskylten som sitter inne i produkten samt på energimärkningsetiketten.

QR-koden på energimärkningsetiketten som levereras med produkten ger en webblänk till informationen om denna produkt i EU EPREL-databasen. Förvara energimärkningsetiketten som referens tillsammans med användarhandboken och alla andra dokument som medföljer denna produkt.

Det går också att hitta samma information i EPREL med länken <https://eprel.ec.europa.eu> och modellnamnet och produktnumret som du hittar på produktens typskylt.


Se länken www.theenergylabel.eu för mer detaljerad information om energimärkningsetiketten.


11. INFORMATION TILL PROVANSTALTER

Installation och förberedelse av produkten för all EcoDesign-verifiering ska överensstämma med EN 62552. Ventilationskrav, fördjupningsdimensioner och minsta bakre fritt utrymme ska vara det som

anges i denna bruksanvisning i kapitel 3. Vänligen kontakta tillverkaren för ytterligare information, inklusive lastplaner.

12. MILJÖSKYDD

Återvinn material med symbolen . Återvinn förpackningen genom att placera den i lämpligt kärl. Bidra till att skydda vår miljö och vår hälsa genom att återvinna avfall från elektriska och elektroniska produkter. Släng inte

produkter märkta med symbolen  med hushållsavfallet. Lämna in produkten på närmaste återvinningsstation eller kontakta kommunkontoret.

www.electrolux.com/shop



804182989-A-192020

